

424FSG/S



FEATURES

Freestanding unit easily fits into any room

Two independent temperature zones hold reds and whites at proper serving temperature

Illuminated touch control panel

Shelves store 750 ml bottles, half bottles and magnums

UV-resistant glass door protects against premature wine aging

Discreet interior lighting

Smooth roller-glide shelves for access without agitating wine

Star-K compliant with installation of a harness kit.

Home security system connection

ACCESSORIES

Lock Kit

Lock kit

Accessories are available through an authorized dealer.
For local dealer information, visit subzero-wolf.com/locator.

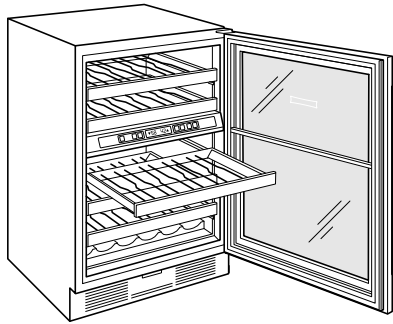


PRODUCT SPECIFICATIONS

Model	424FSG/S
Dimensions	24 1/4"W x 34 3/16"H x 24 5/8"D
Door Clearance	23 3/8"
Weight	220 lbs
Electrical Supply	115 VAC, 60 Hz
Electrical Service	15 amp dedicated circuit
Wine Storage Capacity	46 Bottles

NOTE: Dimensions in parenthesis are in millimeters unless otherwise specified

INTERIOR VIEW



This illustration is intended for interior reference only and may not represent the exterior of the model being specified.

DIMENSIONS

