

2021

UNITED STATES
DISTRIBUTOR PRICE LIST

PRICES EFFECTIVE
04/01/2021



Classic Series Refrigeration 2

PRO Series Refrigeration 42

Designer Series Refrigeration 47

Designer Series Undercounter Refrigeration 70

Wine Storage 76

Accessory Handles 85

Sub-Zero Warranties 88

Model numbers, specifications, and prices are subject to change at any time without notice. Visit subzero.com/specs, for the most up-to-date information.

IMPORTANT NOTE: Throughout this price list, dimensions in parentheses are in millimeters unless otherwise specified.

NOTE ALSO: Use of Manufacturer’s Suggested Retail Price (“MSRP”) is subject to the requirements of Section 1.6 of the Sub-Zero Distributor Agreement, as amended.



Indicates Wi-Fi enabled.



Indicates Star-K certified.

The information and images in this guide are the copyright property of Sub-Zero, Inc. Neither this guide nor any information or images contained herein may be copied or used in whole or in part without the express written permission of Sub-Zero, Inc. ©Sub-Zero, Inc. all rights reserved.

Sub-Zero, Sub-Zero & Design, Sub-Zero & Snowflake Design, Dual Refrigeration, The Living Kitchen, Great American Kitchens The Fine Art of Kitchen Design, Wolf, Wolf & Design, Wolf Gourmet, W & Design, red colored knobs, Cove, and Cove & Design, are registered trademarks and service marks of Sub-Zero Group, Inc. and its subsidiaries.

All other trademarks are property of their respective owners in the United States and other countries.

Classic Series Refrigeration

In the 1950s, Sub-Zero pioneered the concept of built-in refrigeration. Today, our Classic Series represents the iconic look that comes to mind when one hears “Sub-Zero” with a visible grille and powerful hinges that stand the test of time.

- Dual refrigeration preserves food’s freshness in two sealed compartments.
- Advanced water filtration and air purification systems.
- Crisper and deli drawers form a lower-temperature zone for produce and meats.
- Available in a stainless steel or custom panel look that can be installed flush inset or proud of surrounding cabinetry.
- Handle options coordinate with Wolf cooking and Cove dishwashing products.
- Energy efficient; many models are ENERGY STAR® qualified.
- Flip-up grille provides easy access for routine maintenance.
- One 90° door stop included.
- All models are Star-K certified.

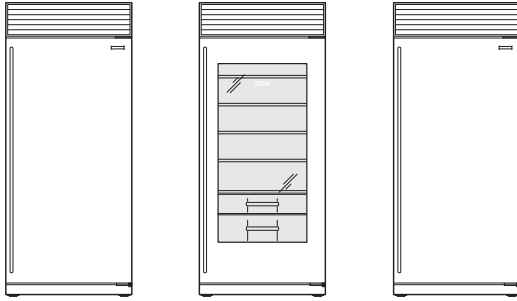
MODEL NUMBER KEY

| | |
|------------------------------|-----|
| Classic Series Refrigeration | BI |
| All Refrigerator | R |
| All Freezer | F |
| Over-and-Under | U |
| Side-by-Side | S |
| Glass Door | G |
| High Altitude Glass Door | A |
| French Door | FD |
| Ice and Water Dispenser | D |
| Internal Dispenser | ID |
| Overlay Model | /O |
| Stainless Steel Model | /S |
| Tubular Handle | /TH |
| Pro Handle | /PH |
| Right-Hinge | -RH |
| Left-Hinge | -LH |



Classic Series Refrigeration

All Refrigerator / All Freezer Models



BI-36R

BI-36RG

BI-36F

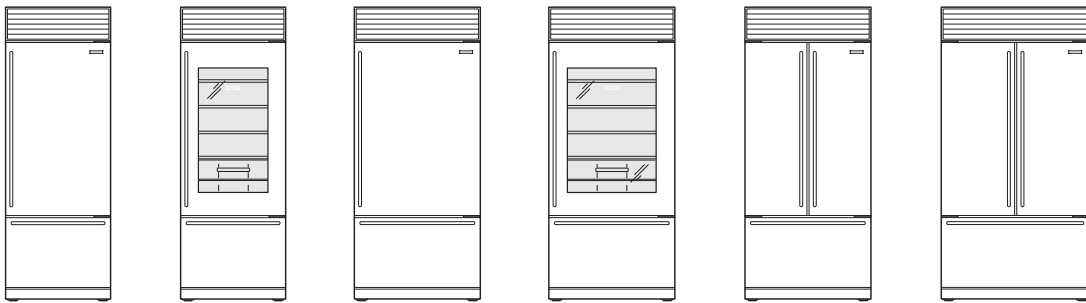
Models shown in the stainless steel design with tubular handles.
Specify right-hinge (-RH) or left-hinge (-LH) door when ordering.

Overall dimensions are based on stainless steel models.

Annual energy usage is based on 12 cents per kilowatt hour.

A high altitude glass door is available for installations above 5,000' (1524 m) in elevation. When ordering, replace (G) with (A) for the correct model number.

Over-and-Under Models



BI-30U

BI-30UG

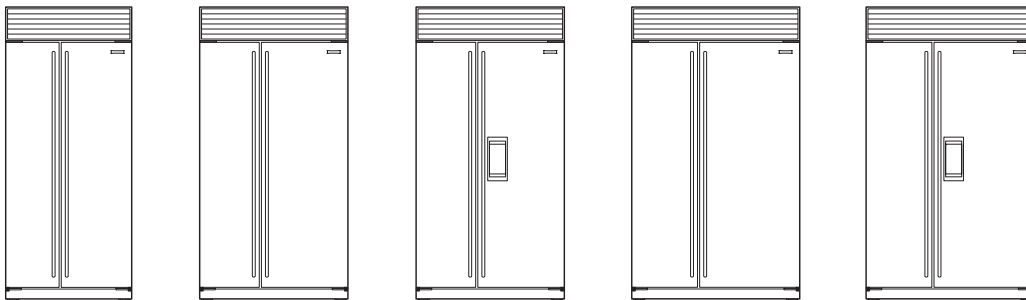
BI-36U(ID)

BI-36UG

BI-36UFD(ID)

BI-42UFD(ID)

Side-by-Side Models



BI-36S

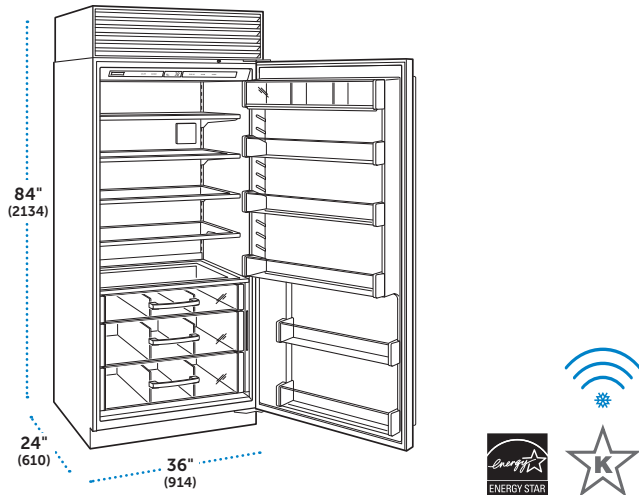
BI-42S(ID)

BI-42SD

BI-48S(ID)

BI-48SD

Classic Series Refrigeration



36" All Refrigerator

| MODEL | MSRP |
|-------------|---------|
| BI-36R/O* | \$7,050 |
| BI-36R/S/TH | \$8,415 |
| BI-36R/S/PH | \$8,415 |

*Flush inset and framed design options are achieved by specifying an overlay model. Overlay models include a grille frame that accepts a classic louvered, solid stainless, pro louvered or custom panel insert.

SPECIFICATIONS

| | |
|-----------------------|---------------------------------------|
| Overall Dimensions | 36"W (914) x 84"H (2134) x 24"D (610) |
| Refrigerator Capacity | 23.5 cu ft (665 L) |
| Shipping Weight | 420 lbs (191 kg) |
| Annual Energy Usage | \$45 (375 kWh) |

FEATURES

- 4 adjustable glass shelves
- High-humidity drawer with dividers
- 2 storage drawers with dividers
- 3 adjustable and 2 stationary door shelves
- Adjustable dairy compartment
- Air purification system

Accessories

Grilles

| FINISHED HEIGHT | NUMBER | MSRP |
|-------------------------------|---------|-------|
| Framed | | |
| 83" (2108) Classic Louvered | 7003519 | \$380 |
| 88" (2235) Classic Louvered | 7003523 | \$480 |
| Overlay or Flush Inset | | |
| 83" (2108) Grille Frame | 7003531 | \$285 |
| 84" (2134) Grille Frame | 7007136 | \$255 |
| 88" (2235) Grille Frame | 7003535 | \$255 |
| Stainless Steel | | |
| 83" (2108) Pro Louvered | 7003543 | \$410 |
| 84" (2134) Pro Louvered | 7007132 | \$470 |
| 88" (2235) Pro Louvered | 7003547 | \$520 |

Framed Application

| DESCRIPTION | NUMBER | MSRP |
|--------------------------|---------|-------|
| Classic Louvered Insert* | 7014850 | \$175 |
| Handle (1) | | |
| Full-Length Standard | 7014887 | \$125 |
| Full-Length Extended | 7003462 | \$125 |
| Door Panel | | |
| Stainless Steel | 7003455 | \$540 |
| White Enamel | 7004439 | \$485 |

*Slides into overlay grille, 84" (2134) finished height.

Accessories

Single Flush Inset – Stainless Steel

| DESCRIPTION | NUMBER | MSRP |
|-----------------------|---------|---------|
| Grille* | | |
| Solid SS Panel | 7008869 | \$255 |
| Pro Louvered | 7020158 | \$355 |
| Tubular Handle | | |
| Door Panel | 7030216 | \$1,045 |
| Pro Handle | | |
| Door Panel | 7008884 | \$1,045 |

*84" (2134) finished height.

Dual Flush Inset – Stainless Steel

| DESCRIPTION | NUMBER | MSRP |
|---------------------------|---------|---------|
| Dual Wide Grille* | | |
| 66" (1676) Solid SS Panel | 7013367 | \$480 |
| 72" (1829) Solid SS Panel | 7008881 | \$510 |
| Tubular Handle | | |
| Door Panel | 7030215 | \$1,045 |
| Pro Handle | | |
| Door Panel | 7008853 | \$1,045 |

*84" (2134) finished height. Solid SS panel requires dual installation kit 7012623 or 7004811.

Dual Installation Kit with Dual Wide Grille

| DESCRIPTION | NUMBER | MSRP |
|------------------------------------|---------|---------|
| Framed | | |
| 72" (1829) Classic Louvered | 7004809 | \$1,185 |
| Overlay or Flush Inset | | |
| 66" (1676) Grille Frame | 7012623 | \$945 |
| 72" (1829) Grille Frame | 7004811 | \$985 |
| Stainless Steel Flush Inset | | |
| 66" (1676) Pro Louvered | 7020162 | \$1,105 |
| 72" (1829) Pro Louvered | 7020163 | \$1,150 |
| Stainless Steel | | |
| 66" (1676) Pro Louvered | 7012624 | \$1,245 |
| 72" (1829) Pro Louvered | 7004813 | \$1,275 |

For handle-to-handle installations only. Kit includes dual wide kickplate and dual wide grille for 84" (2134) finished height, center trim strip, heater and mounting hardware.

Dual Installation Kit

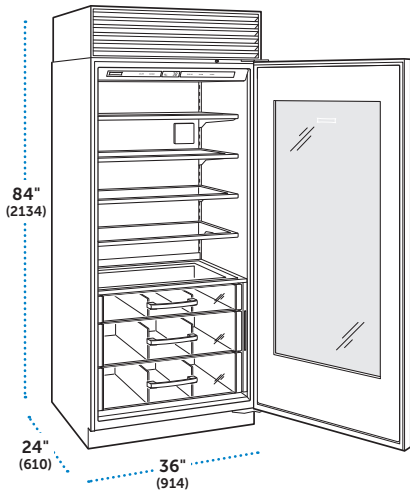
| DESCRIPTION | NUMBER | MSRP |
|-----------------------|---------|-------|
| All Designs | | |
| Dual Installation Kit | 7003411 | \$380 |

For handle-to-handle installations only. Kit includes center trim strip, heater and mounting hardware.

Miscellaneous

| DESCRIPTION | NUMBER | MSRP |
|------------------------------|---------|-------|
| Replacement Cartridge | | |
| Air Purification | 7007067 | \$55 |
| Mounting Kits | | |
| Custom Front Panel | 7020607 | \$235 |
| Custom Side Panel | 7003407 | \$115 |
| Side Panels | | |
| Stainless Steel (1) | 7003408 | \$785 |
| White Enamel (1) | 7003409 | \$540 |
| Kickplates | | |
| Stainless Steel RH | 7010371 | \$45 |
| Stainless Steel LH | 7010372 | \$45 |
| Egg Container | 7007506 | \$30 |
| 90° Door Stop | 7005865 | N/C |

Classic Series Refrigeration



36" All Refrigerator with Glass Door

| MODEL | MSRP |
|--------------|---------|
| BI-36RG/O* | \$8,050 |
| BI-36RG/S/TH | \$9,220 |
| BI-36RG/S/PH | \$9,220 |

*Flush inset and framed design options are achieved by specifying an overlay model. Overlay models include a grille frame that accepts a classic louvered, solid stainless, pro louvered or custom panel insert.

SPECIFICATIONS

| | |
|-----------------------|---------------------------------------|
| Overall Dimensions | 36"W (914) x 84"H (2134) x 24"D (610) |
| Refrigerator Capacity | 23.4 cu ft (663 L) |
| Shipping Weight | 430 lbs (195 kg) |
| Annual Energy Usage | \$50 (415 kWh) |

FEATURES

- 4 adjustable glass shelves
- High-humidity drawer with dividers
- 2 storage drawers with dividers
- Triple-pane, UV-resistant glass door
- High altitude glass available
- Air purification system

Accessories

Grilles

| FINISHED HEIGHT | NUMBER | MSRP |
|-------------------------------|---------|-------|
| Framed | | |
| 83" (2108) Classic Louvered | 7003519 | \$380 |
| 88" (2235) Classic Louvered | 7003523 | \$480 |
| Overlay or Flush Inset | | |
| 83" (2108) Grille Frame | 7003531 | \$285 |
| 84" (2134) Grille Frame | 7007136 | \$255 |
| 88" (2235) Grille Frame | 7003535 | \$255 |
| Stainless Steel | | |
| 83" (2108) Pro Louvered | 7003543 | \$410 |
| 84" (2134) Pro Louvered | 7007132 | \$470 |
| 88" (2235) Pro Louvered | 7003547 | \$520 |

Framed Application

| DESCRIPTION | NUMBER | MSRP |
|--------------------------|---------|-------|
| Classic Louvered Insert* | 7014850 | \$175 |
| Handle (1) | | |
| Full-Length Standard | 7014887 | \$125 |
| Full-Length Extended | 7003462 | \$125 |

*Slides into overlay grille, 84" (2134) finished height.

Accessories

Single Flush Inset – Stainless Steel

| DESCRIPTION | NUMBER | MSRP |
|-----------------------|---------|---------|
| Grille* | | |
| Solid SS Panel | 7008869 | \$255 |
| Pro Louvered | 7020158 | \$355 |
| Tubular Handle | | |
| Door Panel RH | 7030217 | \$1,045 |
| Door Panel LH | 7030226 | \$1,045 |
| Pro Handle | | |
| Door Panel RH | 7008887 | \$1,045 |
| Door Panel LH | 7008964 | \$1,045 |

*84" (2134) finished height.

Dual Flush Inset – Stainless Steel

| DESCRIPTION | NUMBER | MSRP |
|---------------------------|---------|---------|
| Dual Wide Grille* | | |
| 66" (1676) Solid SS Panel | 7013367 | \$480 |
| 72" (1829) Solid SS Panel | 7008881 | \$510 |
| Tubular Handle | | |
| Door Panel RH | 7030227 | \$1,045 |
| Door Panel LH | 7030228 | \$1,045 |
| Pro Handle | | |
| Door Panel RH | 7012229 | \$1,045 |
| Door Panel LH | 7012230 | \$1,045 |

*84" (2134) finished height. Solid SS panel requires dual installation kit 7012623 or 7004811.

Dual Installation Kit with Dual Wide Grille

| DESCRIPTION | NUMBER | MSRP |
|------------------------------------|---------|---------|
| Framed | | |
| 72" (1829) Classic Louvered | 7004809 | \$1,185 |
| Overlay or Flush Inset | | |
| 66" (1676) Grille Frame | 7012623 | \$945 |
| 72" (1829) Grille Frame | 7004811 | \$985 |
| Stainless Steel Flush Inset | | |
| 66" (1676) Pro Louvered | 7020162 | \$1,105 |
| 72" (1829) Pro Louvered | 7020163 | \$1,150 |
| Stainless Steel | | |
| 66" (1676) Pro Louvered | 7012624 | \$1,245 |
| 72" (1829) Pro Louvered | 7004813 | \$1,275 |

For handle-to-handle installations only. Kit includes dual wide kickplate and dual wide grille for 84" (2134) finished height, center trim strip, heater and mounting hardware.

Dual Installation Kit

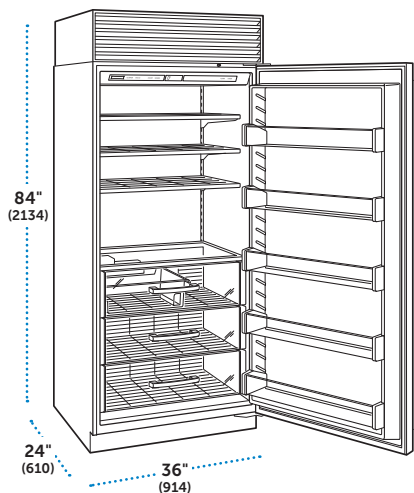
| DESCRIPTION | NUMBER | MSRP |
|-----------------------|---------|-------|
| All Designs | | |
| Dual Installation Kit | 7003411 | \$380 |

For handle-to-handle installations only. Kit includes center trim strip, heater and mounting hardware.

Miscellaneous

| DESCRIPTION | NUMBER | MSRP |
|------------------------------|---------|-------|
| Replacement Cartridge | | |
| Air Purification | 7007067 | \$55 |
| Mounting Kits | | |
| Custom Side Panel | 7003407 | \$115 |
| Side Panels | | |
| Stainless Steel (1) | 7003408 | \$785 |
| White Enamel (1) | 7003409 | \$540 |
| Kickplates | | |
| Stainless Steel RH | 7010371 | \$45 |
| Stainless Steel LH | 7010372 | \$45 |
| Egg Container | 7007506 | \$30 |
| 90° Door Stop | 7005865 | N/C |

Classic Series Refrigeration



36" All Freezer

| MODEL | MSRP |
|-------------|---------|
| BI-36F/O* | \$7,435 |
| BI-36F/S/TH | \$8,800 |
| BI-36F/S/PH | \$8,800 |

*Flush inset and framed design options are achieved by specifying an overlay model. Overlay models include a grille frame that accepts a classic louvered, solid stainless, pro louvered or custom panel insert.

SPECIFICATIONS

| | |
|---------------------|---------------------------------------|
| Overall Dimensions | 36"W (914) x 84"H (2134) x 24"D (610) |
| Freezer Capacity | 22.7 cu ft (643 L) |
| Shipping Weight | 406 lbs (184 kg) |
| Annual Energy Usage | \$89 (738 kWh) |

FEATURES

- 3 adjustable wire shelves
- 3 storage drawers
- 5 adjustable door shelves
- Automatic ice maker
- Water filtration system

Accessories

Grilles

| FINISHED HEIGHT | NUMBER | MSRP |
|-------------------------------|---------|-------|
| Framed | | |
| 83" (2108) Classic Louvered | 7003519 | \$380 |
| 88" (2235) Classic Louvered | 7003523 | \$480 |
| Overlay or Flush Inset | | |
| 83" (2108) Grille Frame | 7003531 | \$285 |
| 84" (2134) Grille Frame | 7007136 | \$255 |
| 88" (2235) Grille Frame | 7003535 | \$255 |
| Stainless Steel | | |
| 83" (2108) Pro Louvered | 7003543 | \$410 |
| 84" (2134) Pro Louvered | 7007132 | \$470 |
| 88" (2235) Pro Louvered | 7003547 | \$520 |

Framed Application

| DESCRIPTION | NUMBER | MSRP |
|--------------------------|---------|-------|
| Classic Louvered Insert* | 7014850 | \$175 |
| Handle (1) | | |
| Full-Length Standard | 7014887 | \$125 |
| Full-Length Extended | 7003462 | \$125 |
| Door Panel | | |
| Stainless Steel | 7003455 | \$540 |
| White Enamel | 7004439 | \$485 |

*Slides into overlay grille, 84" (2134) finished height.

Classic Series Refrigeration

Accessories

Single Flush Inset – Stainless Steel

| DESCRIPTION | NUMBER | MSRP |
|-----------------------|---------|---------|
| Grille* | | |
| Solid SS Panel | 7008869 | \$255 |
| Pro Louvered | 7020158 | \$355 |
| Tubular Handle | | |
| Door Panel | 7030216 | \$1,045 |
| Pro Handle | | |
| Door Panel | 7008884 | \$1,045 |

*84" (2134) finished height.

Dual Flush Inset – Stainless Steel

| DESCRIPTION | NUMBER | MSRP |
|---------------------------|---------|---------|
| Dual Wide Grille* | | |
| 66" (1676) Solid SS Panel | 7013367 | \$480 |
| 72" (1829) Solid SS Panel | 7008881 | \$510 |
| Tubular Handle | | |
| Door Panel | 7030215 | \$1,045 |
| Pro Handle | | |
| Door Panel | 7008853 | \$1,045 |

*84" (2134) finished height. Solid SS panel requires dual installation kit 7012623 or 7004811.

Dual Installation Kit with Dual Wide Grille

| DESCRIPTION | NUMBER | MSRP |
|------------------------------------|---------|---------|
| Framed | | |
| 72" (1829) Classic Louvered | 7004809 | \$1,185 |
| Overlay or Flush Inset | | |
| 66" (1676) Grille Frame | 7012623 | \$945 |
| 72" (1829) Grille Frame | 7004811 | \$985 |
| Stainless Steel Flush Inset | | |
| 66" (1676) Pro Louvered | 7020162 | \$1,105 |
| 72" (1829) Pro Louvered | 7020163 | \$1,150 |
| Stainless Steel | | |
| 66" (1676) Pro Louvered | 7012624 | \$1,245 |
| 72" (1829) Pro Louvered | 7004813 | \$1,275 |

For handle-to-handle installations only. Kit includes dual wide kickplate and dual wide grille for 84" (2134) finished height, center trim strip, heater and mounting hardware.

Dual Installation Kit

| DESCRIPTION | NUMBER | MSRP |
|-----------------------|---------|-------|
| All Designs | | |
| Dual Installation Kit | 7003411 | \$380 |

For handle-to-handle installations only. Kit includes center trim strip, heater and mounting hardware.

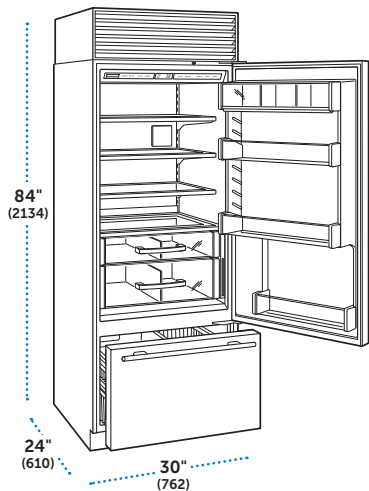
Water Filters

| DESCRIPTION | NUMBER | MSRP |
|---------------------------|---------|------|
| Replacement Filter | | |
| Water Filter | 4204490 | \$55 |

Miscellaneous

| DESCRIPTION | NUMBER | MSRP |
|----------------------|---------|-------|
| Mounting Kits | | |
| Custom Front Panel | 7020607 | \$235 |
| Custom Side Panel | 7003407 | \$115 |
| Side Panels | | |
| Stainless Steel (1) | 7003408 | \$785 |
| White Enamel (1) | 7003409 | \$540 |
| Kickplates | | |
| Stainless Steel RH | 7010371 | \$45 |
| Stainless Steel LH | 7010372 | \$45 |
| 90° Door Stop | 7005865 | N/C |

Classic Series Refrigeration



30" Over-and-Under

| MODEL | MSRP |
|-------------|----------|
| BI-30U/O*† | \$9,060 |
| BI-30U/S/TH | \$10,625 |
| BI-30U/S/PH | \$10,625 |

*Flush inset and framed design options are achieved by specifying an overlay model. Overlay models include a grille frame that accepts a classic louvered, solid stainless, pro louvered or custom panel insert.

†This model is not ENERGY STAR® certified.

SPECIFICATIONS

| | |
|-----------------------|--|
| Overall Dimensions | 30"W (762) x 84"H (2134) x 24"D (610) |
| Refrigerator Capacity | 13.2 cu ft (374 L) |
| Freezer Capacity | 4.2 cu ft (119 L) |
| Shipping Weight | 462 lbs (210 kg) |
| Annual Energy Usage | BI-30U/O \$74 (613 kWh) BI-30U/S \$68 (560 kWh) |

FEATURES

Refrigerator

- 3 adjustable glass shelves
- High-humidity drawer with divider
- Storage drawer with divider
- 2 adjustable and 1 stationary door shelves
- Adjustable dairy compartment
- Air purification system

Freezer

- Automatic ice maker
- Full-extension drawer with 2-tier wire baskets
- Water filtration system

Accessories

Grilles

| FINISHED HEIGHT | NUMBER | MSRP |
|-------------------------------|---------|-------|
| Framed | | |
| 83" (2108) Classic Louvered | 7003518 | \$355 |
| 88" (2235) Classic Louvered | 7003522 | \$460 |
| Overlay or Flush Inset | | |
| 83" (2108) Grille Frame | 7003530 | \$275 |
| 84" (2134) Grille Frame | 7007135 | \$245 |
| 88" (2235) Grille Frame | 7003534 | \$245 |
| Stainless Steel | | |
| 83" (2108) Pro Louvered | 7003542 | \$395 |
| 84" (2134) Pro Louvered | 7007131 | \$440 |
| 88" (2235) Pro Louvered | 7003546 | \$500 |

Framed Application

| DESCRIPTION | NUMBER | MSRP |
|--------------------------|---------|-------|
| Classic Louvered Insert* | 7014849 | \$155 |
| Handles (2) | | |
| Full-Length Standard | 7014888 | \$175 |
| Full-Length Extended | 7003463 | \$205 |
| 2-Panel Set | | |
| Stainless Steel | 7003456 | \$560 |
| White Enamel | 7004440 | \$440 |

*Slides into overlay grille, 84" (2134) finished height.

Retrofit Panel Kit

| DESCRIPTION | NUMBER | MSRP |
|------------------------|---------|-------|
| Framed | 7005230 | \$335 |
| Overlay or Flush Inset | 7003403 | \$335 |

Retrofit existing 600 Series panels onto a new Classic Series model. Grille panel must be reduced in height by 1" (25).

Single Flush Inset Panels – Stainless Steel

| DESCRIPTION | NUMBER | MSRP |
|-----------------------|---------|-------|
| Grille* | | |
| Solid SS Panel | 7008870 | \$215 |
| Pro Louvered | 7020157 | \$335 |
| Tubular Handle | | |
| Door Panel | 7030231 | \$765 |
| Drawer Panel | 7030245 | \$400 |
| Pro Handle | | |
| Door Panel | 7008890 | \$765 |
| Drawer Panel | 7008893 | \$400 |

*84" (2134) finished height.

Classic Series Refrigeration

Accessories

Dual Flush Inset Panels – Stainless Steel

| DESCRIPTION | NUMBER | MSRP |
|---------------------------|---------|-------|
| Dual Wide Grille* | | |
| 60" (1524) Solid SS Panel | 7008882 | \$450 |
| 66" (1676) Solid SS Panel | 7013367 | \$480 |
| Tubular Handle | | |
| Door Panel | 7030229 | \$765 |
| Drawer Panel RH | 7030243 | \$400 |
| Drawer Panel LH | 7030244 | \$400 |
| Pro Handle | | |
| Door Panel | 7008834 | \$765 |
| Drawer Panel RH | 7008837 | \$400 |
| Drawer Panel LH | 7008840 | \$400 |

*84" (2134) finished height. Solid SS panel requires dual installation kit 7004810 or 7012623.

Dual Installation Kit with Dual Wide Grille

| DESCRIPTION | NUMBER | MSRP |
|------------------------------------|---------|---------|
| Framed | | |
| 60" (1524) Classic Louvered | 7004808 | \$1,140 |
| Overlay or Flush Inset | | |
| 60" (1524) Grille Frame | 7004810 | \$920 |
| 66" (1676) Grille Frame | 7012623 | \$945 |
| Stainless Steel Flush Inset | | |
| 60" (1524) Pro Louvered | 7020161 | \$1,080 |
| 66" (1676) Pro Louvered | 7020162 | \$1,105 |
| Stainless Steel | | |
| 60" (1524) Pro Louvered | 7004812 | \$1,220 |
| 66" (1676) Pro Louvered | 7012624 | \$1,245 |

For handle-to-handle installations only. Kit includes dual wide kickplate and dual wide grille for 84" (2134) finished height, center trim strip, heater and mounting hardware.

Dual Installation Kit

| DESCRIPTION | NUMBER | MSRP |
|-----------------------|---------|-------|
| All Designs | | |
| Dual Installation Kit | 7003411 | \$380 |

For handle-to-handle installations only. Kit includes center trim strip, heater and mounting hardware.

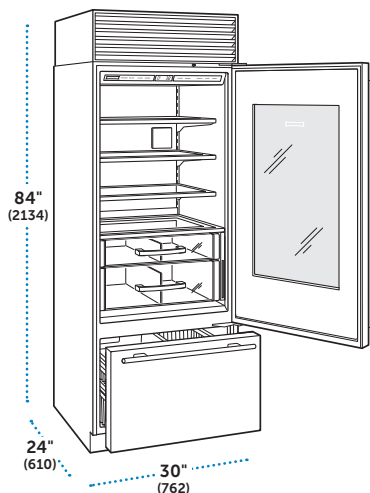
Filters and Cartridges

| DESCRIPTION | NUMBER | MSRP |
|------------------------------|---------|------|
| Replacement Filter | | |
| Water Filter | 4204490 | \$55 |
| Replacement Cartridge | | |
| Air Purification | 7007067 | \$55 |

Miscellaneous

| DESCRIPTION | NUMBER | MSRP |
|---------------------------|---------|-------|
| Mounting Kits | | |
| Custom Front Panels | 7020607 | \$235 |
| Custom Side Panel | 7003407 | \$115 |
| Side Panels | | |
| Stainless Steel (1) | 7003408 | \$785 |
| White Enamel (1) | 7003409 | \$540 |
| Stainless Steel Kickplate | 7010396 | \$45 |
| Egg Container | 7007506 | \$30 |
| 90° Door Stop | 7005865 | N/C |

Classic Series Refrigeration



30" Over-and-Under with Glass Door

| MODEL | MSRP |
|--------------|----------|
| BI-30UG/O* | \$10,135 |
| BI-30UG/S/TH | \$11,430 |
| BI-30UG/S/PH | \$11,430 |

*Flush inset and framed design options are achieved by specifying an overlay model. Overlay models include a grille frame that accepts a classic louvered, solid stainless, pro louvered or custom panel insert.

SPECIFICATIONS

| | |
|-----------------------|---------------------------------------|
| Overall Dimensions | 30"W (762) x 84"H (2134) x 24"D (610) |
| Refrigerator Capacity | 13.1 cu ft (371 L) |
| Freezer Capacity | 4.2 cu ft (119 L) |
| Shipping Weight | 476 lbs (216 kg) |
| Annual Energy Usage | \$74 (612 kWh) |

FEATURES

Refrigerator

- 3 adjustable glass shelves
- High-humidity drawer with divider
- Storage drawer with divider
- Triple-pane, UV-resistant glass door
- High altitude glass available
- Air purification system

Freezer

- Automatic ice maker
- Full-extension drawer with 2-tier wire baskets
- Water filtration system

Accessories

Grilles

| FINISHED HEIGHT | NUMBER | MSRP |
|-------------------------------|---------|-------|
| Framed | | |
| 83" (2108) Classic Louvered | 7003518 | \$355 |
| 88" (2235) Classic Louvered | 7003522 | \$460 |
| Overlay or Flush Inset | | |
| 83" (2108) Grille Frame | 7003530 | \$275 |
| 84" (2134) Grille Frame | 7007135 | \$245 |
| 88" (2235) Grille Frame | 7003534 | \$245 |
| Stainless Steel | | |
| 83" (2108) Pro Louvered | 7003542 | \$395 |
| 84" (2134) Pro Louvered | 7007131 | \$440 |
| 88" (2235) Pro Louvered | 7003546 | \$500 |

Framed Application

| DESCRIPTION | NUMBER | MSRP |
|--------------------------|---------|-------|
| Classic Louvered Insert* | 7014849 | \$155 |
| Handle (2) | | |
| Full-Length Standard | 7014888 | \$175 |
| Full-Length Extended | 7003463 | \$205 |

*Slides into overlay grille, 84" (2134) finished height.

Single Flush Inset Panels – Stainless Steel

| DESCRIPTION | NUMBER | MSRP |
|-----------------------|---------|-------|
| Grille* | | |
| Solid SS Panel | 7008870 | \$215 |
| Pro Louvered | 7020157 | \$335 |
| Tubular Handle | | |
| Door Panel | 7030232 | \$765 |
| Drawer Panel | 7030245 | \$400 |
| Pro Handle | | |
| Door Panel | 7008896 | \$765 |
| Drawer Panel | 7008893 | \$400 |

*84" (2134) finished height.

Classic Series Refrigeration

Accessories

Dual Flush Inset Panels – Stainless Steel

| DESCRIPTION | NUMBER | MSRP |
|---------------------------|---------|-------|
| Dual Wide Grille* | | |
| 60" (1524) Solid SS Panel | 7008882 | \$450 |
| 66" (1676) Solid SS Panel | 7013367 | \$480 |
| Tubular Handle | | |
| Door Panel | 7030235 | \$765 |
| Drawer Panel RH | 7030243 | \$400 |
| Drawer Panel LH | 7030244 | \$400 |
| Pro Handle | | |
| Door Panel | 7012231 | \$765 |
| Drawer Panel RH | 7008837 | \$400 |
| Drawer Panel LH | 7008840 | \$400 |

*84" (2134) finished height. Solid SS panel requires dual installation kit 7004810 or 7012623.

Dual Installation Kit with Dual Wide Grille

| DESCRIPTION | NUMBER | MSRP |
|------------------------------------|---------|---------|
| Framed | | |
| 60" (1524) Classic Louvered | 7004808 | \$1,140 |
| Overlay or Flush Inset | | |
| 60" (1524) Grille Frame | 7004810 | \$920 |
| 66" (1676) Grille Frame | 7012623 | \$945 |
| Stainless Steel Flush Inset | | |
| 60" (1524) Pro Louvered | 7020161 | \$1,080 |
| 66" (1676) Pro Louvered | 7020162 | \$1,105 |
| Stainless Steel | | |
| 60" (1524) Pro Louvered | 7004812 | \$1,220 |
| 66" (1676) Pro Louvered | 7012624 | \$1,245 |

For handle-to-handle installations only. Kit includes dual wide kickplate and dual wide grille for 84" (2134) finished height, center trim strip, heater and mounting hardware.

Dual Installation Kit

| DESCRIPTION | NUMBER | MSRP |
|-----------------------|---------|-------|
| All Designs | | |
| Dual Installation Kit | 7003411 | \$380 |

For handle-to-handle installations only. Kit includes center trim strip, heater and mounting hardware.

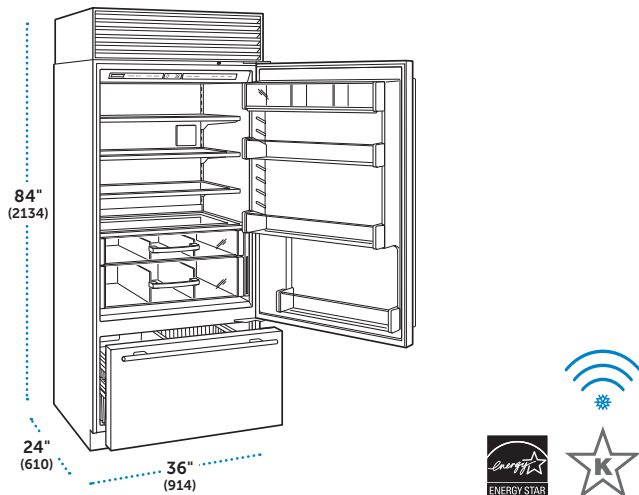
Filters and Cartridges

| DESCRIPTION | NUMBER | MSRP |
|------------------------------|---------|------|
| Replacement Filter | | |
| Water Filter | 4204490 | \$55 |
| Replacement Cartridge | | |
| Air Purification | 7007067 | \$55 |

Miscellaneous

| DESCRIPTION | NUMBER | MSRP |
|---------------------------|---------|-------|
| Mounting Kits | | |
| Custom Side Panel | 7003407 | \$115 |
| Side Panels | | |
| Stainless Steel (1) | 7003408 | \$785 |
| White Enamel (1) | 7003409 | \$540 |
| Stainless Steel Kickplate | 7010396 | \$45 |
| Egg Container | 7007506 | \$30 |
| 90° Door Stop | 7005865 | N/C |

Classic Series Refrigeration



36" Over-and-Under

| MODEL | MSRP |
|-------------|----------|
| BI-36U/O*† | \$9,440 |
| BI-36U/S/TH | \$11,110 |
| BI-36U/S/PH | \$11,110 |

*Flush inset and framed design options are achieved by specifying an overlay model. Overlay models include a grille frame that accepts a classic louvered, solid stainless, pro louvered or custom panel insert.

†This model is not ENERGY STAR® certified.

SPECIFICATIONS

| | |
|-----------------------|---------------------------------------|
| Overall Dimensions | 36"W (914) x 84"H (2134) x 24"D (610) |
| Refrigerator Capacity | 16.4 cu ft (464 L) |
| Freezer Capacity | 5.3 cu ft (150 L) |
| Shipping Weight | 515 lbs (234 kg) |
| Annual Energy Usage | \$73 (602 kWh) |

FEATURES

Refrigerator

- 3 adjustable glass shelves
- High-humidity drawer with dividers
- Storage drawer with dividers
- 2 adjustable and 1 stationary door shelves
- Adjustable dairy compartment
- Air purification system

Freezer

- Automatic ice maker
- Full-extension drawer with 2-tier wire baskets
- Water filtration system

Accessories

Grilles

| FINISHED HEIGHT | NUMBER | MSRP |
|-------------------------------|---------|-------|
| Framed | | |
| 83" (2108) Classic Louvered | 7003519 | \$380 |
| 88" (2235) Classic Louvered | 7003523 | \$480 |
| Overlay or Flush Inset | | |
| 83" (2108) Grille Frame | 7003531 | \$285 |
| 84" (2134) Grille Frame | 7007136 | \$255 |
| 88" (2235) Grille Frame | 7003535 | \$255 |
| Stainless Steel | | |
| 83" (2108) Pro Louvered | 7003543 | \$410 |
| 84" (2134) Pro Louvered | 7007132 | \$470 |
| 88" (2235) Pro Louvered | 7003547 | \$520 |

Framed Application

| DESCRIPTION | NUMBER | MSRP |
|--------------------------|---------|-------|
| Classic Louvered Insert* | 7014850 | \$175 |
| Handle (2) | | |
| Full-Length Standard | 7014889 | \$175 |
| Full-Length Extended | 7003464 | \$205 |
| 2-Panel Set | | |
| Stainless Steel | 7003457 | \$570 |
| White Enamel | 7004441 | \$500 |

*Slides into overlay grille, 84" (2134) finished height.

Retrofit Panel Kit

| DESCRIPTION | NUMBER | MSRP |
|------------------------|---------|-------|
| Framed | 7005229 | \$345 |
| Overlay or Flush Inset | 7003402 | \$345 |

Retrofit existing 600 Series panels onto a new Classic Series model. Grille panel must be reduced in height by 1" (25).

Single Flush Inset Panels – Stainless Steel

| DESCRIPTION | NUMBER | MSRP |
|-----------------------|---------|-------|
| Grille* | | |
| Solid SS Panel | 7008869 | \$255 |
| Pro Louvered | 7020158 | \$355 |
| Tubular Handle | | |
| Door Panel | 7030233 | \$795 |
| Drawer Panel | 7029743 | \$430 |
| Pro Handle | | |
| Door Panel | 7008899 | \$795 |
| Drawer Panel | 7008902 | \$430 |

*84" (2134) finished height.

Classic Series Refrigeration

Accessories

Dual Flush Inset Panels – Stainless Steel

| DESCRIPTION | NUMBER | MSRP |
|---------------------------|---------|-------|
| Dual Wide Grille* | | |
| 66" (1676) Solid SS Panel | 7013367 | \$480 |
| 72" (1829) Solid SS Panel | 7008881 | \$510 |
| Tubular Handle | | |
| Door Panel | 7030230 | \$795 |
| Drawer Panel RH | 7030240 | \$430 |
| Drawer Panel LH | 7030241 | \$430 |
| Pro Handle | | |
| Door Panel | 7008843 | \$795 |
| Drawer Panel RH | 7008846 | \$430 |
| Drawer Panel LH | 7008849 | \$430 |

*84" (2134) finished height. Solid SS panel requires dual installation kit 7012623 or 7004811.

Dual Installation Kit with Dual Wide Grille

| DESCRIPTION | NUMBER | MSRP |
|------------------------------------|---------|---------|
| Framed | | |
| 72" (1829) Classic Louvered | 7004809 | \$1,185 |
| Overlay or Flush Inset | | |
| 66" (1676) Grille Frame | 7012623 | \$945 |
| 72" (1829) Grille Frame | 7004811 | \$985 |
| Stainless Steel Flush Inset | | |
| 66" (1676) Pro Louvered | 7020162 | \$1,105 |
| 72" (1829) Pro Louvered | 7020163 | \$1,150 |
| Stainless Steel | | |
| 66" (1676) Pro Louvered | 7012624 | \$1,245 |
| 72" (1829) Pro Louvered | 7004813 | \$1,275 |

For handle-to-handle installations only. Kit includes dual wide kickplate and dual wide grille for 84" (2134) finished height, center trim strip, heater and mounting hardware.

Dual Installation Kit

| DESCRIPTION | NUMBER | MSRP |
|-----------------------|---------|-------|
| All Designs | | |
| Dual Installation Kit | 7003411 | \$380 |

For handle-to-handle installations only. Kit includes center trim strip, heater and mounting hardware.

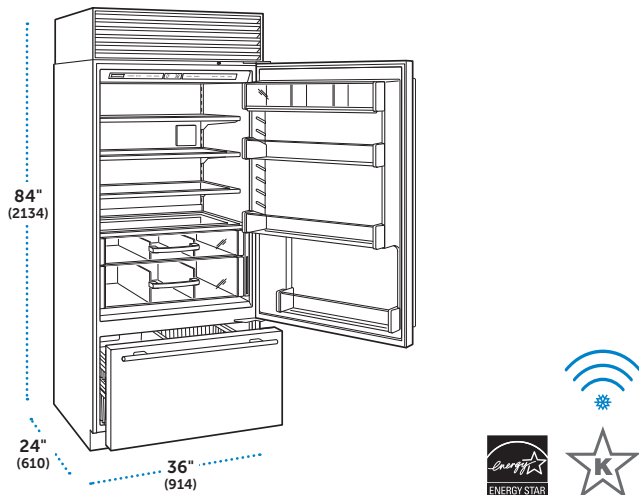
Filters and Cartridges

| DESCRIPTION | NUMBER | MSRP |
|------------------------------|---------|------|
| Replacement Filter | | |
| Water Filter | 4204490 | \$55 |
| Replacement Cartridge | | |
| Air Purification | 7007067 | \$55 |

Miscellaneous

| DESCRIPTION | NUMBER | MSRP |
|---------------------------|---------|-------|
| Mounting Kits | | |
| Custom Front Panels | 7020607 | \$235 |
| Custom Side Panel | 7003407 | \$115 |
| Side Panels | | |
| Stainless Steel (1) | 7003408 | \$785 |
| White Enamel (1) | 7003409 | \$540 |
| Stainless Steel Kickplate | 7010397 | \$45 |
| Egg Container | 7007506 | \$30 |
| 90° Door Stop | 7005865 | N/C |

Classic Series Refrigeration



36" Over-and-Under with Internal Dispenser

| MODEL | MSRP |
|---------------|----------|
| BI-36UID/O** | \$9,815 |
| BI-36UID/S/TH | \$11,485 |
| BI-36UID/S/PH | \$11,485 |

*Flush inset and framed design options are achieved by specifying an overlay model. Overlay models include a grille frame that accepts a classic louvered, solid stainless, pro louvered or custom panel insert.

†This model is not ENERGY STAR® certified.

SPECIFICATIONS

| | |
|-----------------------|---------------------------------------|
| Overall Dimensions | 36"W (914) x 84"H (2134) x 24"D (610) |
| Refrigerator Capacity | 16.4 cu ft (464 L) |
| Freezer Capacity | 5.3 cu ft (150 L) |
| Shipping Weight | 515 lbs (234 kg) |
| Annual Energy Usage | \$73 (602 kWh) |

FEATURES

Refrigerator

- Internal water dispenser
- 3 adjustable glass shelves
- High-humidity drawer with dividers
- Storage drawer with dividers
- 2 adjustable and 1 stationary door shelves
- Adjustable dairy compartment
- Air purification system

Freezer

- Automatic ice maker
- Full-extension drawer with 2-tier wire baskets
- Water filtration system

Accessories

Grilles

| FINISHED HEIGHT | NUMBER | MSRP |
|-------------------------------|---------|-------|
| Framed | | |
| 83" (2108) Classic Louvered | 7003519 | \$380 |
| 88" (2235) Classic Louvered | 7003523 | \$480 |
| Overlay or Flush Inset | | |
| 83" (2108) Grille Frame | 7003531 | \$285 |
| 84" (2134) Grille Frame | 7007136 | \$255 |
| 88" (2235) Grille Frame | 7003535 | \$255 |
| Stainless Steel | | |
| 83" (2108) Pro Louvered | 7003543 | \$410 |
| 84" (2134) Pro Louvered | 7007132 | \$470 |
| 88" (2235) Pro Louvered | 7003547 | \$520 |

Framed Application

| DESCRIPTION | NUMBER | MSRP |
|--------------------------|---------|-------|
| Classic Louvered Insert* | 7014850 | \$175 |
| Handle (2) | | |
| Full-Length Standard | 7014889 | \$175 |
| Full-Length Extended | 7003464 | \$205 |
| 2-Panel Set | | |
| Stainless Steel | 7003457 | \$570 |
| White Enamel | 7004441 | \$500 |

*Slides into overlay grille, 84" (2134) finished height.

Retrofit Panel Kit

| DESCRIPTION | NUMBER | MSRP |
|------------------------|---------|-------|
| Framed | 7005229 | \$345 |
| Overlay or Flush Inset | 7003402 | \$345 |

Retrofit existing 600 Series panels onto a new Classic Series model. Grille panel must be reduced in height by 1" (25).

Single Flush Inset Panels – Stainless Steel

| DESCRIPTION | NUMBER | MSRP |
|-----------------------|---------|-------|
| Grille* | | |
| Solid SS Panel | 7008869 | \$255 |
| Pro Louvered | 7020158 | \$355 |
| Tubular Handle | | |
| Door Panel | 7030233 | \$795 |
| Drawer Panel | 7029743 | \$430 |
| Pro Handle | | |
| Door Panel | 7008899 | \$795 |
| Drawer Panel | 7008902 | \$430 |

*84" (2134) finished height.

Classic Series Refrigeration

Accessories

Dual Flush Inset Panels – Stainless Steel

| DESCRIPTION | NUMBER | MSRP |
|---------------------------|---------|-------|
| Dual Wide Grille* | | |
| 66" (1676) Solid SS Panel | 7013367 | \$480 |
| 72" (1829) Solid SS Panel | 7008881 | \$510 |
| Tubular Handle | | |
| Door Panel | 7030230 | \$795 |
| Drawer Panel RH | 7030240 | \$430 |
| Drawer Panel LH | 7030241 | \$430 |
| Pro Handle | | |
| Door Panel | 7008843 | \$795 |
| Drawer Panel RH | 7008846 | \$430 |
| Drawer Panel LH | 7008849 | \$430 |

*84" (2134) finished height. Solid SS panel requires dual installation kit 7012623 or 7004811.

Dual Installation Kit with Dual Wide Grille

| DESCRIPTION | NUMBER | MSRP |
|------------------------------------|---------|---------|
| Framed | | |
| 72" (1829) Classic Louvered | 7004809 | \$1,185 |
| Overlay or Flush Inset | | |
| 66" (1676) Grille Frame | 7012623 | \$945 |
| 72" (1829) Grille Frame | 7004811 | \$985 |
| Stainless Steel Flush Inset | | |
| 66" (1676) Pro Louvered | 7020162 | \$1,105 |
| 72" (1829) Pro Louvered | 7020163 | \$1,150 |
| Stainless Steel | | |
| 66" (1676) Pro Louvered | 7012624 | \$1,245 |
| 72" (1829) Pro Louvered | 7004813 | \$1,275 |

For handle-to-handle installations only. Kit includes dual wide kickplate and dual wide grille for 84" (2134) finished height, center trim strip, heater and mounting hardware.

Dual Installation Kit

| DESCRIPTION | NUMBER | MSRP |
|-----------------------|---------|-------|
| All Designs | | |
| Dual Installation Kit | 7003411 | \$380 |

For handle-to-handle installations only. Kit includes center trim strip, heater and mounting hardware.

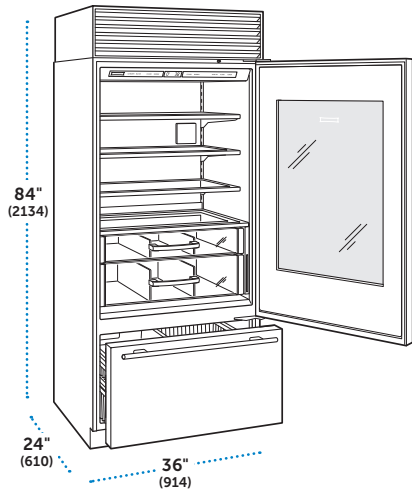
Filters and Cartridges

| DESCRIPTION | NUMBER | MSRP |
|------------------------------|---------|------|
| Replacement Filter | | |
| Water Filter | 4204490 | \$55 |
| Replacement Cartridge | | |
| Air Purification | 7007067 | \$55 |

Miscellaneous

| DESCRIPTION | NUMBER | MSRP |
|---------------------------|---------|-------|
| Mounting Kits | | |
| Custom Front Panels | 7020607 | \$235 |
| Custom Side Panel | 7003407 | \$115 |
| Side Panels | | |
| Stainless Steel (1) | 7003408 | \$785 |
| White Enamel (1) | 7003409 | \$540 |
| Stainless Steel Kickplate | 7010397 | \$45 |
| Egg Container | 7007506 | \$30 |
| 90° Door Stop | 7005865 | N/C |

Classic Series Refrigeration



36" Over-and-Under with Glass Door

| MODEL | MSRP |
|--------------|----------|
| BI-36UG/O* | \$10,515 |
| BI-36UG/S/TH | \$11,915 |
| BI-36UG/S/PH | \$11,915 |

*Flush inset and framed design options are achieved by specifying an overlay model. Overlay models include a grille frame that accepts a classic louvered, solid stainless, pro louvered or custom panel insert.

SPECIFICATIONS

| | |
|-----------------------|---------------------------------------|
| Overall Dimensions | 36"W (914) x 84"H (2134) x 24"D (610) |
| Refrigerator Capacity | 16.3 cu ft (462 L) |
| Freezer Capacity | 5.3 cu ft (150 L) |
| Shipping Weight | 529 lbs (240 kg) |
| Annual Energy Usage | \$80 (659 kWh) |

FEATURES

Refrigerator

- 3 adjustable glass shelves
- High-humidity drawer with dividers
- Storage drawer with dividers
- Triple-pane, UV-resistant glass door
- High altitude glass available
- Air purification system

Freezer

- Automatic ice maker
- Full-extension drawer with 2-tier wire baskets
- Water filtration system

Accessories

Grilles

| FINISHED HEIGHT | NUMBER | MSRP |
|-------------------------------|---------|-------|
| Framed | | |
| 83" (2108) Classic Louvered | 7003519 | \$380 |
| 88" (2235) Classic Louvered | 7003523 | \$480 |
| Overlay or Flush Inset | | |
| 83" (2108) Grille Frame | 7003531 | \$285 |
| 84" (2134) Grille Frame | 7007136 | \$255 |
| 88" (2235) Grille Frame | 7003535 | \$255 |
| Stainless Steel | | |
| 83" (2108) Pro Louvered | 7003543 | \$410 |
| 84" (2134) Pro Louvered | 7007132 | \$470 |
| 88" (2235) Pro Louvered | 7003547 | \$520 |

Framed Application

| DESCRIPTION | NUMBER | MSRP |
|--------------------------|---------|-------|
| Classic Louvered Insert* | 7014850 | \$175 |
| Handle (2) | | |
| Full-Length Standard | 7014889 | \$175 |
| Full-Length Extended | 7003464 | \$205 |

*Slides into overlay grille, 84" (2134) finished height.

Single Flush Inset Panels – Stainless Steel

| DESCRIPTION | NUMBER | MSRP |
|-----------------------|---------|-------|
| Grille* | | |
| Solid SS Panel | 7008869 | \$255 |
| Pro Louvered | 7020158 | \$355 |
| Tubular Handle | | |
| Door Panel | 7030234 | \$795 |
| Drawer Panel | 7029743 | \$430 |
| Pro Handle | | |
| Door Panel | 7008905 | \$795 |
| Drawer Panel | 7008902 | \$430 |

*84" (2134) finished height.

Classic Series Refrigeration

Accessories

Dual Flush Inset Panels – Stainless Steel

| DESCRIPTION | NUMBER | MSRP |
|---------------------------|---------|-------|
| Dual Wide Grille* | | |
| 66" (1676) Solid SS Panel | 7013367 | \$480 |
| 72" (1829) Solid SS Panel | 7008881 | \$510 |
| Tubular Handle | | |
| Door Panel | 7030236 | \$795 |
| Drawer Panel RH | 7030240 | \$430 |
| Drawer Panel LH | 7030241 | \$430 |
| Pro Handle | | |
| Door Panel | 7012232 | \$795 |
| Drawer Panel RH | 7008846 | \$430 |
| Drawer Panel LH | 7008849 | \$430 |

*84" (2134) finished height. Solid SS panel requires dual installation kit 7012623 or 7004811.

Dual Installation Kit with Dual Wide Grille

| DESCRIPTION | NUMBER | MSRP |
|------------------------------------|---------|---------|
| Framed | | |
| 72" (1829) Classic Louvered | 7004809 | \$1,185 |
| Overlay or Flush Inset | | |
| 66" (1676) Grille Frame | 7012623 | \$945 |
| 72" (1829) Grille Frame | 7004811 | \$985 |
| Stainless Steel Flush Inset | | |
| 66" (1676) Pro Louvered | 7020162 | \$1,105 |
| 72" (1829) Pro Louvered | 7020163 | \$1,150 |
| Stainless Steel | | |
| 66" (1676) Pro Louvered | 7012624 | \$1,245 |
| 72" (1829) Pro Louvered | 7004813 | \$1,275 |

For handle-to-handle installations only. Kit includes dual wide kickplate and dual wide grille for 84" (2134) finished height, center trim strip, heater and mounting hardware.

Dual Installation Kit

| DESCRIPTION | NUMBER | MSRP |
|-----------------------|---------|-------|
| All Designs | | |
| Dual Installation Kit | 7003411 | \$380 |

For handle-to-handle installations only. Kit includes center trim strip, heater and mounting hardware.

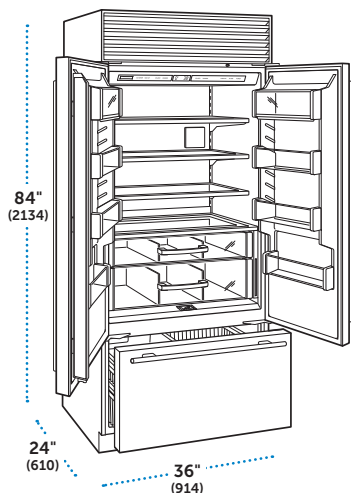
Filters and Cartridges

| DESCRIPTION | NUMBER | MSRP |
|------------------------------|---------|------|
| Replacement Filter | | |
| Water Filter | 4204490 | \$55 |
| Replacement Cartridge | | |
| Air Purification | 7007067 | \$55 |

Miscellaneous

| DESCRIPTION | NUMBER | MSRP |
|---------------------------|---------|-------|
| Mounting Kits | | |
| Custom Side Panel | 7003407 | \$115 |
| Side Panels | | |
| Stainless Steel (1) | 7003408 | \$785 |
| White Enamel (1) | 7003409 | \$540 |
| Stainless Steel Kickplate | 7010397 | \$45 |
| Egg Container | 7007506 | \$30 |
| 90° Door Stop | 7005865 | N/C |

Classic Series Refrigeration



36" Over-and-Under with French Door

| MODEL | MSRP |
|---------------|----------|
| BI-36UFD/O* | \$9,910 |
| BI-36UFD/S/TH | \$11,580 |
| BI-36UFD/S/PH | \$11,580 |

*Flush inset and framed design options are achieved by specifying an overlay model. Overlay models include a grille frame that accepts a classic louvered, solid stainless, pro louvered or custom panel insert.

SPECIFICATIONS

| | |
|-----------------------|---------------------------------------|
| Overall Dimensions | 36"W (914) x 84"H (2134) x 24"D (610) |
| Refrigerator Capacity | 15.7 cu ft (446 L) |
| Freezer Capacity | 5.3 cu ft (150 L) |
| Shipping Weight | 529 lbs (240 kg) |
| Annual Energy Usage | \$79 (654 kWh) |

FEATURES

Refrigerator

- 3 adjustable glass shelves
- High-humidity drawer with dividers
- Storage drawer with dividers
- 4 adjustable and 2 stationary door shelves
- 2 adjustable dairy compartments
- Air purification system

Freezer

- Automatic ice maker
- Full-extension drawer with 2-tier wire baskets
- Water filtration system

Accessories

Grilles

| FINISHED HEIGHT | NUMBER | MSRP |
|-------------------------------|---------|-------|
| Framed | | |
| 83" (2108) Classic Louvered | 7003519 | \$380 |
| 88" (2235) Classic Louvered | 7003523 | \$480 |
| Overlay or Flush Inset | | |
| 83" (2108) Grille Frame | 7003531 | \$285 |
| 84" (2134) Grille Frame | 7007136 | \$255 |
| 88" (2235) Grille Frame | 7003535 | \$255 |
| Stainless Steel | | |
| 83" (2108) Pro Louvered | 7003543 | \$410 |
| 84" (2134) Pro Louvered | 7007132 | \$470 |
| 88" (2235) Pro Louvered | 7003547 | \$520 |

Framed Application

| DESCRIPTION | NUMBER | MSRP |
|--------------------------|---------|-------|
| Classic Louvered Insert* | 7014850 | \$175 |
| Handles (3) | | |
| Full-Length Standard | 7023375 | \$235 |
| Full-Length Extended | 7023376 | \$255 |
| 3-Panel Set | | |
| Stainless Steel | 7023377 | \$570 |
| White Enamel | 7023378 | \$500 |

*Slides into overlay grille, 84" (2134) finished height.

Classic Series Refrigeration

Accessories

Flush Inset Panels – Stainless Steel

| DESCRIPTION | NUMBER | MSRP |
|---------------------------|---------|-------|
| Grille* | | |
| Solid SS Panel | 7008869 | \$255 |
| Pro Louvered | 7020158 | \$355 |
| Tubular Handle | | |
| Refrigerator Door Panel** | 7029742 | \$795 |
| Freezer Drawer Panel | 7029743 | \$430 |
| Pro Handle | | |
| Refrigerator Door Panel** | 7023380 | \$795 |
| Freezer Drawer Panel | 7008902 | \$430 |

*84" (2134) finished height.

**Must order quantity two.

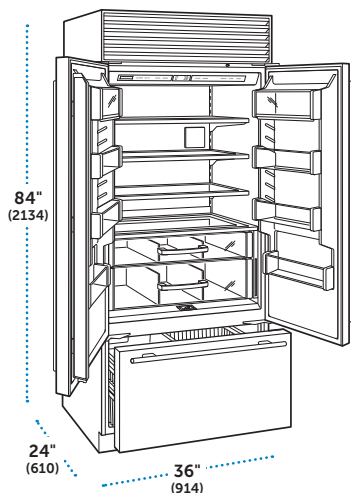
Filters and Cartridges

| DESCRIPTION | NUMBER | MSRP |
|------------------------------|---------|------|
| Replacement Filter | | |
| Water Filter | 4204490 | \$55 |
| Replacement Cartridge | | |
| Air Purification | 7007067 | \$55 |

Miscellaneous

| DESCRIPTION | NUMBER | MSRP |
|---------------------------|---------|-------|
| Mounting Kits | | |
| Custom Front Panels | 7020607 | \$235 |
| Custom Side Panel | 7003407 | \$115 |
| Side Panels | | |
| Stainless Steel (1) | 7003408 | \$785 |
| White Enamel (1) | 7003409 | \$540 |
| Stainless Steel Kickplate | 7010397 | \$45 |
| Egg Container | 7007506 | \$30 |
| 90° Door Stop | 7005865 | N/C |

Classic Series Refrigeration



36" Over-and-Under with French Door and Internal Dispenser

| MODEL | MSRP |
|-----------------|----------|
| BI-36UFDID/O* | \$10,285 |
| BI-36UFDID/S/TH | \$11,955 |
| BI-36UFDID/S/PH | \$11,955 |

*Flush inset and framed design options are achieved by specifying an overlay model. Overlay models include a grille frame that accepts a classic louvered, solid stainless, pro louvered or custom panel insert.

SPECIFICATIONS

| | |
|-----------------------|---------------------------------------|
| Overall Dimensions | 36"W (914) x 84"H (2134) x 24"D (610) |
| Refrigerator Capacity | 15.7 cu ft (446 L) |
| Freezer Capacity | 5.3 cu ft (150 L) |
| Shipping Weight | 529 lbs (240 kg) |
| Annual Energy Usage | \$79 (654 kWh) |

FEATURES

Refrigerator

- Internal water dispenser
- 3 adjustable glass shelves
- High-humidity drawer with dividers
- Storage drawer with dividers
- 4 adjustable and 2 stationary door shelves
- 2 adjustable dairy compartments
- Air purification system

Freezer

- Automatic ice maker
- Full-extension drawer with 2-tier wire baskets
- Water filtration system

Accessories

Grilles

| FINISHED HEIGHT | NUMBER | MSRP |
|-------------------------------|---------|-------|
| Framed | | |
| 83" (2108) Classic Louvered | 7003519 | \$380 |
| 88" (2235) Classic Louvered | 7003523 | \$480 |
| Overlay or Flush Inset | | |
| 83" (2108) Grille Frame | 7003531 | \$285 |
| 84" (2134) Grille Frame | 7007136 | \$255 |
| 88" (2235) Grille Frame | 7003535 | \$255 |
| Stainless Steel | | |
| 83" (2108) Pro Louvered | 7003543 | \$410 |
| 84" (2134) Pro Louvered | 7007132 | \$470 |
| 88" (2235) Pro Louvered | 7003547 | \$520 |

Framed Application

| DESCRIPTION | NUMBER | MSRP |
|--------------------------|---------|-------|
| Classic Louvered Insert* | 7014850 | \$175 |
| Handles (3) | | |
| Full-Length Standard | 7023375 | \$235 |
| Full-Length Extended | 7023376 | \$255 |
| 3-Panel Set | | |
| Stainless Steel | 7023377 | \$570 |
| White Enamel | 7023378 | \$500 |

*Slides into overlay grille, 84" (2134) finished height.

Classic Series Refrigeration

Accessories

Flush Inset Panels – Stainless Steel

| DESCRIPTION | NUMBER | MSRP |
|---------------------------|---------|-------|
| Grille* | | |
| Solid SS Panel | 7008869 | \$255 |
| Pro Louvered | 7020158 | \$355 |
| Tubular Handle | | |
| Refrigerator Door Panel** | 7029742 | \$795 |
| Freezer Drawer Panel | 7029743 | \$430 |
| Pro Handle | | |
| Refrigerator Door Panel** | 7023380 | \$795 |
| Freezer Drawer Panel | 7008902 | \$430 |

*84" (2134) finished height.

**Must order quantity two.

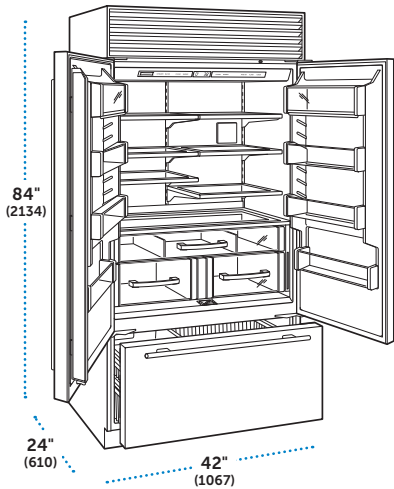
Filters and Cartridges

| DESCRIPTION | NUMBER | MSRP |
|------------------------------|---------|------|
| Replacement Filter | | |
| Water Filter | 4204490 | \$55 |
| Replacement Cartridge | | |
| Air Purification | 7007067 | \$55 |

Miscellaneous

| DESCRIPTION | NUMBER | MSRP |
|---------------------------|---------|-------|
| Mounting Kits | | |
| Custom Front Panels | 7020607 | \$235 |
| Custom Side Panel | 7003407 | \$115 |
| Side Panels | | |
| Stainless Steel (1) | 7003408 | \$785 |
| White Enamel (1) | 7003409 | \$540 |
| Stainless Steel Kickplate | 7010397 | \$45 |
| Egg Container | 7007506 | \$30 |
| 90° Door Stop | 7005865 | N/C |

Classic Series Refrigeration



42" Over-and-Under with French Door

| MODEL | MSRP |
|---------------|----------|
| BI-42UFD/O* | \$10,505 |
| BI-42UFD/S/TH | \$12,280 |
| BI-42UFD/S/PH | \$12,280 |

*Flush inset and framed design options are achieved by specifying an overlay model. Overlay models include a grille frame that accepts a classic louvered, solid stainless, pro louvered or custom panel insert.

SPECIFICATIONS

| | |
|-----------------------|--|
| Overall Dimensions | 42"W (1067) x 84"H (2134) x 24"D (610) |
| Refrigerator Capacity | 17.9 cu ft (507 L) |
| Freezer Capacity | 6.3 cu ft (178 L) |
| Shipping Weight | 582 lbs (264 kg) |
| Annual Energy Usage | \$84 (693 kWh) |

FEATURES

Refrigerator

- 6 adjustable glass shelves
- High-humidity drawer with dividers
- 2 storage drawers
- 4 adjustable and 2 stationary door shelves
- 2 adjustable dairy compartments
- Air purification system

Freezer

- Automatic ice maker
- Full-extension drawer with 2-tier wire baskets
- Water filtration system

Accessories

Grilles

| FINISHED HEIGHT | NUMBER | MSRP |
|-------------------------------|---------|-------|
| Framed | | |
| 83" (2108) Classic Louvered | 7003520 | \$395 |
| 88" (2235) Classic Louvered | 7003524 | \$500 |
| Overlay or Flush Inset | | |
| 83" (2108) Grille Frame | 7003532 | \$295 |
| 84" (2134) Grille Frame | 7007137 | \$275 |
| 88" (2235) Grille Frame | 7003536 | \$275 |
| Stainless Steel | | |
| 83" (2108) Pro Louvered | 7003544 | \$430 |
| 84" (2134) Pro Louvered | 7007133 | \$485 |
| 88" (2235) Pro Louvered | 7003548 | \$550 |

Framed Application

| DESCRIPTION | NUMBER | MSRP |
|--------------------------|---------|-------|
| Classic Louvered Insert* | 7014851 | \$205 |
| Handles (3) | | |
| Full-Length Standard | 7027154 | \$255 |
| Full-Length Extended | 7027155 | \$310 |
| 3-Panel Set | | |
| Stainless Steel | 7027158 | \$680 |
| White Enamel | 7027159 | \$600 |

*Slides into overlay grille, 84" (2134) finished height.

Classic Series Refrigeration

Accessories

Flush Inset Panels – Stainless Steel

| DESCRIPTION | NUMBER | MSRP |
|---------------------------|---------|-------|
| Grille* | | |
| Solid SS Panel | 7008871 | \$295 |
| Pro Louvered | 7020159 | \$380 |
| Tubular Handle | | |
| Refrigerator Door Panel** | 7030238 | \$830 |
| Freezer Drawer Panel | 7030242 | \$465 |
| Pro Handle | | |
| Refrigerator Door Panel** | 7027169 | \$830 |
| Freezer Drawer Panel | 7027170 | \$465 |

*84" (2134) finished height.

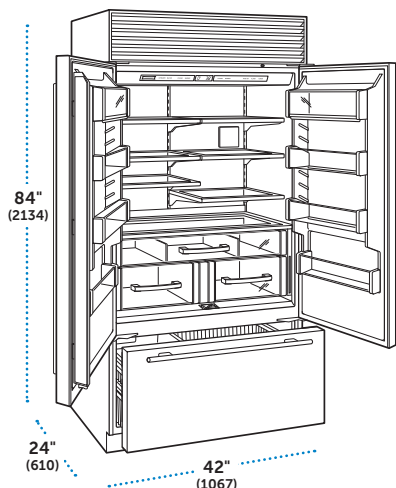
**Must order quantity two.

Filters and Cartridges

| DESCRIPTION | NUMBER | MSRP |
|------------------------------|---------|------|
| Replacement Filter | | |
| Water Filter | 4204490 | \$55 |
| Replacement Cartridge | | |
| Air Purification | 7007067 | \$55 |

Miscellaneous

| DESCRIPTION | NUMBER | MSRP |
|---------------------------|---------|-------|
| Mounting Kits | | |
| Custom Front Panels | 7020607 | \$235 |
| Custom Side Panel | 7003407 | \$115 |
| Side Panels | | |
| Stainless Steel (1) | 7003408 | \$785 |
| White Enamel (1) | 7003409 | \$540 |
| Stainless Steel Kickplate | 7011039 | \$45 |
| Egg Container | 7007506 | \$30 |
| 90° Door Stop | 7005865 | N/C |



42" Over-and-Under with French Door and Internal Dispenser

| MODEL | MSRP |
|-----------------|----------|
| BI-42UFDID/O* | \$10,880 |
| BI-42UFDID/S/TH | \$12,655 |
| BI-42UFDID/S/PH | \$12,655 |

*Flush inset and framed design options are achieved by specifying an overlay model. Overlay models include a grille frame that accepts a classic louvered, solid stainless, pro louvered or custom panel insert.

SPECIFICATIONS

| | |
|-----------------------|--|
| Overall Dimensions | 42"W (1067) x 84"H (2134) x 24"D (610) |
| Refrigerator Capacity | 17.9 cu ft (507 L) |
| Freezer Capacity | 6.3 cu ft (178 L) |
| Shipping Weight | 582 lbs (264 kg) |
| Annual Energy Usage | \$84 (693 kWh) |

FEATURES

Refrigerator

- Internal water dispenser
- 6 adjustable glass shelves
- High-humidity drawer with dividers
- 2 storage drawers
- 4 adjustable and 2 stationary door shelves
- 2 adjustable dairy compartments
- Air purification system

Freezer

- Automatic ice maker
- Full-extension drawer with 2-tier wire baskets
- Water filtration system

Accessories

Grilles

| FINISHED HEIGHT | NUMBER | MSRP |
|-------------------------------|---------|-------|
| Framed | | |
| 83" (2108) Classic Louvered | 7003520 | \$395 |
| 88" (2235) Classic Louvered | 7003524 | \$500 |
| Overlay or Flush Inset | | |
| 83" (2108) Grille Frame | 7003532 | \$295 |
| 84" (2134) Grille Frame | 7007137 | \$275 |
| 88" (2235) Grille Frame | 7003536 | \$275 |
| Stainless Steel | | |
| 83" (2108) Pro Louvered | 7003544 | \$430 |
| 84" (2134) Pro Louvered | 7007133 | \$485 |
| 88" (2235) Pro Louvered | 7003548 | \$550 |

Framed Application

| DESCRIPTION | NUMBER | MSRP |
|--------------------------|---------|-------|
| Classic Louvered Insert* | 7014851 | \$205 |
| Handles (3) | | |
| Full-Length Standard | 7027154 | \$255 |
| Full-Length Extended | 7027155 | \$310 |
| 3-Panel Set | | |
| Stainless Steel | 7027158 | \$680 |
| White Enamel | 7027159 | \$600 |

*Slides into overlay grille, 84" (2134) finished height.

Classic Series Refrigeration

Accessories

Flush Inset Panels – Stainless Steel

| DESCRIPTION | NUMBER | MSRP |
|---------------------------|---------|-------|
| Grille* | | |
| Solid SS Panel | 7008871 | \$295 |
| Pro Louvered | 7020159 | \$380 |
| Tubular Handle | | |
| Refrigerator Door Panel** | 7030238 | \$830 |
| Freezer Drawer Panel | 7030242 | \$465 |
| Pro Handle | | |
| Refrigerator Door Panel** | 7027169 | \$830 |
| Freezer Drawer Panel | 7027170 | \$465 |

*84" (2134) finished height.

**Must order quantity two.

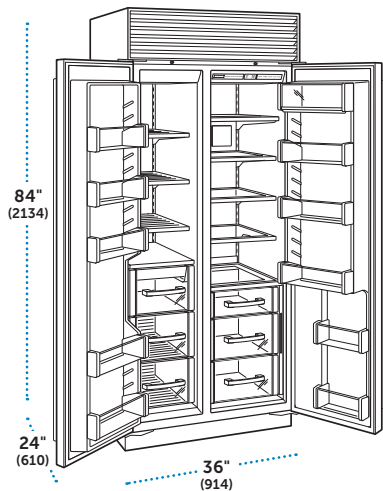
Filters and Cartridges

| DESCRIPTION | NUMBER | MSRP |
|------------------------------|---------|------|
| Replacement Filter | | |
| Water Filter | 4204490 | \$55 |
| Replacement Cartridge | | |
| Air Purification | 7007067 | \$55 |

Miscellaneous

| DESCRIPTION | NUMBER | MSRP |
|---------------------------|---------|-------|
| Mounting Kits | | |
| Custom Front Panels | 7020607 | \$235 |
| Custom Side Panel | 7003407 | \$115 |
| Side Panels | | |
| Stainless Steel (1) | 7003408 | \$785 |
| White Enamel (1) | 7003409 | \$540 |
| Stainless Steel Kickplate | 7011039 | \$45 |
| Egg Container | 7007506 | \$30 |
| 90° Door Stop | 7005865 | N/C |

Classic Series Refrigeration



36" Side-by-Side

| MODEL | MSRP |
|-------------|----------|
| BI-36S/O* | \$9,150 |
| BI-36S/S/TH | \$10,820 |
| BI-36S/S/PH | \$10,820 |

*Flush inset and framed design options are achieved by specifying an overlay model. Overlay models include a grille frame that accepts a classic louvered, solid stainless, pro louvered or custom panel insert.

SPECIFICATIONS

| | |
|-----------------------|---------------------------------------|
| Overall Dimensions | 36"W (914) x 84"H (2134) x 24"D (610) |
| Refrigerator Capacity | 12.4 cu ft (351 L) |
| Freezer Capacity | 8.2 cu ft (232 L) |
| Shipping Weight | 538 lbs (244 kg) |
| Annual Energy Usage | \$86 (715 kWh) |

FEATURES

Refrigerator

- 4 adjustable glass shelves
- High-humidity drawer
- 2 storage drawers
- 3 adjustable and 2 stationary door shelves
- Adjustable dairy compartment
- Air purification system

Freezer

- Automatic ice maker
- 3 adjustable wire shelves
- 3 storage drawers
- 5 adjustable door shelves
- Water filtration system

Accessories

Grilles

| FINISHED HEIGHT | NUMBER | MSRP |
|-------------------------------|---------|-------|
| Framed | | |
| 83" (2108) Classic Louvered | 7003519 | \$380 |
| 88" (2235) Classic Louvered | 7003523 | \$480 |
| Overlay or Flush Inset | | |
| 83" (2108) Grille Frame | 7003531 | \$285 |
| 84" (2134) Grille Frame | 7007136 | \$255 |
| 88" (2235) Grille Frame | 7003535 | \$255 |
| Stainless Steel | | |
| 83" (2108) Pro Louvered | 7003543 | \$410 |
| 84" (2134) Pro Louvered | 7007132 | \$470 |
| 88" (2235) Pro Louvered | 7003547 | \$520 |

Framed Application

| DESCRIPTION | NUMBER | MSRP |
|--------------------------|---------|-------|
| Classic Louvered Insert* | 7014850 | \$175 |
| Handles (2) | | |
| Full-Length Standard | 7014890 | \$175 |
| Full-Length Extended | 7003465 | \$205 |
| 2-Panel Set | | |
| Stainless Steel | 7003458 | \$570 |
| White Enamel | 7004442 | \$485 |

*Slides into overlay grille, 84" (2134) finished height.

Classic Series Refrigeration

Accessories

Flush Inset Panels – Stainless Steel

| DESCRIPTION | NUMBER | MSRP |
|-------------------------|---------|-------|
| Grille* | | |
| Solid SS Panel | 7008869 | \$255 |
| Pro Louvered | 7020158 | \$355 |
| Tubular Handle | | |
| Refrigerator Door Panel | 7030218 | \$795 |
| Freezer Door Panel | 7030219 | \$710 |
| Pro Handle | | |
| Refrigerator Door Panel | 7008908 | \$795 |
| Freezer Door Panel | 7008911 | \$710 |

*84" (2134) finished height.

Retrofit Panel Kit

| DESCRIPTION | NUMBER | MSRP |
|------------------------|---------|-------|
| Framed | 7005228 | \$390 |
| Overlay or Flush Inset | 7011531 | \$390 |

Retrofit existing 600 Series panels onto a new Classic Series model.
Grille panel must be reduced in height by 1" (25).

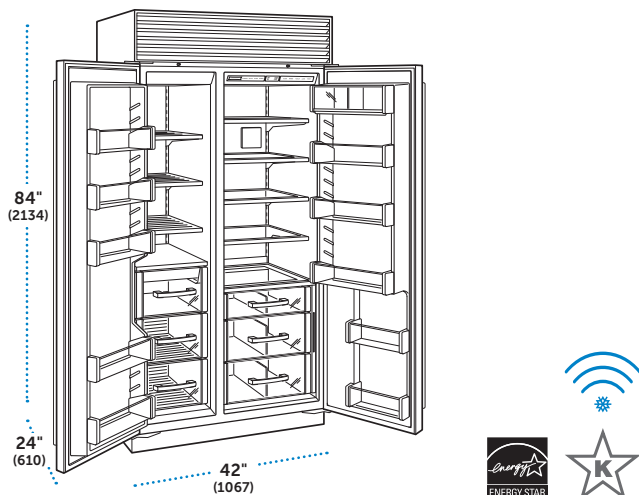
Filters and Cartridges

| DESCRIPTION | NUMBER | MSRP |
|------------------------------|---------|------|
| Replacement Filter | | |
| Water Filter | 4204490 | \$55 |
| Replacement Cartridge | | |
| Air Purification | 7007067 | \$55 |

Miscellaneous

| DESCRIPTION | NUMBER | MSRP |
|---------------------------|---------|-------|
| Mounting Kits | | |
| Custom Front Panels | 7020607 | \$235 |
| Custom Side Panel | 7003407 | \$115 |
| Side Panels | | |
| Stainless Steel (1) | 7003408 | \$785 |
| White Enamel (1) | 7003409 | \$540 |
| Stainless Steel Kickplate | 7007266 | \$45 |
| Egg Container | 7007506 | \$30 |
| 90° Door Stop | 7005865 | N/C |

Classic Series Refrigeration



42" Side-by-Side

| MODEL | MSRP |
|-------------|----------|
| BI-42S/O*‡ | \$9,745 |
| BI-42S/S/TH | \$11,520 |
| BI-42S/S/PH | \$11,520 |

*Flush inset and framed design options are achieved by specifying an overlay model. Overlay models include a grille frame that accepts a classic louvered, solid stainless, pro louvered or custom panel insert.

‡This model is not ENERGY STAR® certified.

SPECIFICATIONS

| | |
|-----------------------|--|
| Overall Dimensions | 42"W (1067) x 84"H (2134) x 24"D (610) |
| Refrigerator Capacity | 16.3 cu ft (462 L) |
| Freezer Capacity | 8.0 cu ft (227 L) |
| Shipping Weight | 582 lbs (264 kg) |
| Annual Energy Usage | |
| BI-42S/O | \$91 (752 kWh) |
| BI-42S/S/TH(PH) | \$83 (685 kWh) |

FEATURES

Refrigerator

- 4 adjustable glass shelves
- High-humidity drawer with divider
- 2 storage drawers with divider
- 3 adjustable and 2 stationary door shelves
- Adjustable dairy compartment
- Air purification system

Freezer

- Automatic ice maker
- 3 adjustable wire shelves
- 3 storage drawers
- 5 adjustable door shelves
- Water filtration system

Accessories

Grilles

| FINISHED HEIGHT | NUMBER | MSRP |
|-------------------------------|---------|-------|
| Framed | | |
| 83" (2108) Classic Louvered | 7003520 | \$395 |
| 88" (2235) Classic Louvered | 7003524 | \$500 |
| Overlay or Flush Inset | | |
| 83" (2108) Grille Frame | 7003532 | \$295 |
| 84" (2134) Grille Frame | 7007137 | \$275 |
| 88" (2235) Grille Frame | 7003536 | \$275 |
| Stainless Steel | | |
| 83" (2108) Pro Louvered | 7003544 | \$430 |
| 84" (2134) Pro Louvered | 7007133 | \$485 |
| 88" (2235) Pro Louvered | 7003548 | \$550 |

Framed Application

| DESCRIPTION | NUMBER | MSRP |
|--------------------------|---------|-------|
| Classic Louvered Insert* | 7014851 | \$205 |
| Handles (2) | | |
| Full-Length Standard | 7014890 | \$175 |
| Full-Length Extended | 7003465 | \$205 |
| 2-Panel Set | | |
| Stainless Steel | 7003459 | \$620 |
| White Enamel | 7004443 | \$570 |

*Slides into overlay grille, 84" (2134) finished height.

Classic Series Refrigeration

Accessories

Flush Inset Panels – Stainless Steel

| DESCRIPTION | NUMBER | MSRP |
|-------------------------|---------|-------|
| Grille* | | |
| Solid SS Panel | 7008871 | \$295 |
| Pro Louvered | 7020159 | \$380 |
| Tubular Handle | | |
| Refrigerator Door Panel | 7030220 | \$830 |
| Freezer Door Panel | 7030221 | \$750 |
| Pro Handle | | |
| Refrigerator Door Panel | 7008914 | \$830 |
| Freezer Door Panel | 7008917 | \$750 |

*84" (2134) finished height.

Retrofit Panel Kit

| DESCRIPTION | NUMBER | MSRP |
|------------------------|---------|-------|
| Framed | 7005227 | \$390 |
| Overlay or Flush Inset | 7003400 | \$390 |

Retrofit existing 600 Series panels onto a new Classic Series model.
Grille panel must be reduced in height by 1" (25).

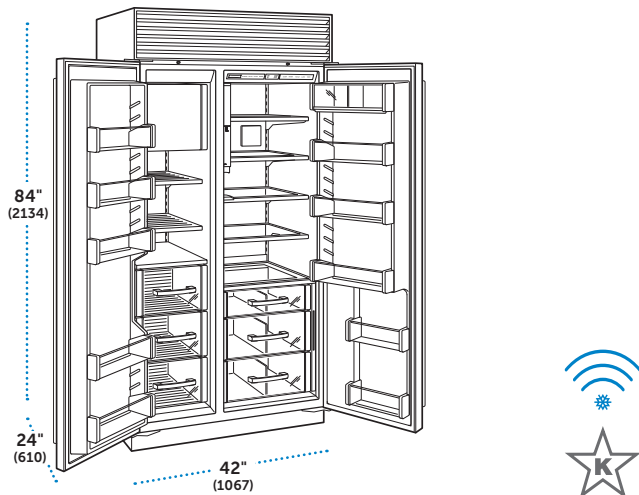
Filters and Cartridges

| DESCRIPTION | NUMBER | MSRP |
|------------------------------|---------|------|
| Replacement Filter | | |
| Water Filter | 4204490 | \$55 |
| Replacement Cartridge | | |
| Air Purification | 7007067 | \$55 |

Miscellaneous

| DESCRIPTION | NUMBER | MSRP |
|---------------------------|---------|-------|
| Mounting Kits | | |
| Custom Front Panels | 7020607 | \$235 |
| Custom Side Panel | 7003407 | \$115 |
| Side Panels | | |
| Stainless Steel (1) | 7003408 | \$785 |
| White Enamel (1) | 7003409 | \$540 |
| Stainless Steel Kickplate | 7011039 | \$45 |
| Egg Container | 7007506 | \$30 |
| 90° Door Stop | 7005865 | N/C |

Classic Series Refrigeration



42" Side-by-Side with Internal Dispenser

| MODEL | MSRP |
|---------------|----------|
| BI-42SID/O* | \$10,390 |
| BI-42SID/S/TH | \$12,165 |
| BI-42SID/S/PH | \$12,165 |

*Flush inset and framed design options are achieved by specifying an overlay model. Overlay models include a grille frame that accepts a classic louvered, solid stainless, pro louvered or custom panel insert.

SPECIFICATIONS

| | |
|-----------------------|--|
| Overall Dimensions | 42"W (1067) x 84"H (2134) x 24"D (610) |
| Refrigerator Capacity | 15.8 cu ft (447 L) |
| Freezer Capacity | 7.9 cu ft (224 L) |
| Shipping Weight | 608 lbs (276 kg) |
| Annual Energy Usage | \$90 (745 kWh) |

FEATURES

Refrigerator

- Internal ice and water dispenser
- 4 adjustable glass shelves
- High-humidity drawer with divider
- 2 storage drawers with divider
- 3 adjustable and 2 stationary door shelves
- Adjustable dairy compartment
- Air purification system

Freezer

- Automatic ice maker
- 2 adjustable wire shelves
- 3 storage drawers
- 5 adjustable door shelves
- Water filtration system

Accessories

Grilles

| FINISHED HEIGHT | NUMBER | MSRP |
|-------------------------------|---------|-------|
| Framed | | |
| 83" (2108) Classic Louvered | 7003520 | \$395 |
| 88" (2235) Classic Louvered | 7003524 | \$500 |
| Overlay or Flush Inset | | |
| 83" (2108) Grille Frame | 7003532 | \$295 |
| 84" (2134) Grille Frame | 7007137 | \$275 |
| 88" (2235) Grille Frame | 7003536 | \$275 |
| Stainless Steel | | |
| 83" (2108) Pro Louvered | 7003544 | \$430 |
| 84" (2134) Pro Louvered | 7007133 | \$485 |
| 88" (2235) Pro Louvered | 7003548 | \$550 |

Framed Application

| DESCRIPTION | NUMBER | MSRP |
|--------------------------|---------|-------|
| Classic Louvered Insert* | 7014851 | \$205 |
| Handles (2) | | |
| Full-Length Standard | 7014890 | \$175 |
| Full-Length Extended | 7003465 | \$205 |
| 2-Panel Set | | |
| Stainless Steel | 7003459 | \$620 |
| White Enamel | 7004443 | \$570 |

*Slides into overlay grille, 84" (2134) finished height.

Classic Series Refrigeration

Accessories

Flush Inset Panels – Stainless Steel

| DESCRIPTION | NUMBER | MSRP |
|-------------------------|---------|-------|
| Grille* | | |
| Solid SS Panel | 7008871 | \$295 |
| Pro Louvered | 7020159 | \$380 |
| Tubular Handle | | |
| Refrigerator Door Panel | 7030220 | \$830 |
| Freezer Door Panel | 7030221 | \$750 |
| Pro Handle | | |
| Refrigerator Door Panel | 7008914 | \$830 |
| Freezer Door Panel | 7008917 | \$750 |

*84" (2134) finished height.

Retrofit Panel Kit

| DESCRIPTION | NUMBER | MSRP |
|------------------------|---------|-------|
| Framed | 7005227 | \$390 |
| Overlay or Flush Inset | 7003400 | \$390 |

Retrofit existing 600 Series panels onto a new Classic Series model.
Grille panel must be reduced in height by 1" (25).

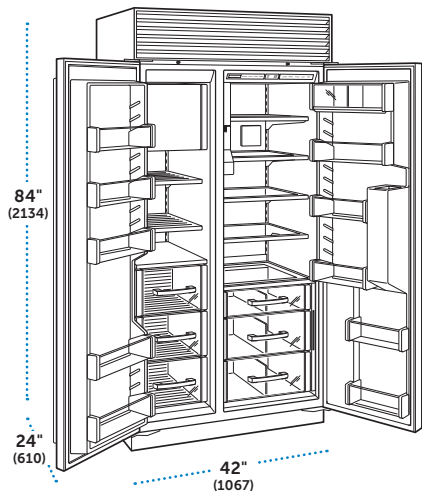
Filters and Cartridges

| DESCRIPTION | NUMBER | MSRP |
|------------------------------|---------|------|
| Replacement Filter | | |
| Water Filter | 4204490 | \$55 |
| Replacement Cartridge | | |
| Air Purification | 7007067 | \$55 |

Miscellaneous

| DESCRIPTION | NUMBER | MSRP |
|---------------------------|---------|-------|
| Mounting Kits | | |
| Custom Front Panels | 7020607 | \$235 |
| Custom Side Panel | 7003407 | \$115 |
| Side Panels | | |
| Stainless Steel (1) | 7003408 | \$785 |
| White Enamel (1) | 7003409 | \$540 |
| Stainless Steel Kickplate | 7011039 | \$45 |
| Egg Container | 7007506 | \$30 |
| 90° Door Stop | 7005865 | N/C |

Classic Series Refrigeration



42" Side-by-Side with Dispenser

| MODEL | MSRP |
|--------------|----------|
| BI-42SD/O* | \$10,820 |
| BI-42SD/S/TH | \$12,595 |
| BI-42SD/S/PH | \$12,595 |

*Flush inset and framed design options are achieved by specifying an overlay model. Overlay models include a grille frame that accepts a classic louvered, solid stainless, pro louvered or custom panel insert.

SPECIFICATIONS

| | |
|-----------------------|--|
| Overall Dimensions | 42"W (1067) x 84"H (2134) x 24"D (610) |
| Refrigerator Capacity | 16.0 cu ft (453 L) |
| Freezer Capacity | 7.9 cu ft (224 L) |
| Shipping Weight | 608 lbs (276 kg) |
| Annual Energy Usage | \$98 (809 kWh) |

FEATURES

Refrigerator

- 4 adjustable glass shelves
- High-humidity drawer with divider
- 2 storage drawers with divider
- 3 adjustable and 2 stationary door shelves
- Adjustable dairy compartment
- Air purification system

Freezer

- Automatic ice maker with dispenser
- 2 adjustable wire shelves
- 3 storage drawers
- 5 adjustable door shelves
- Water filtration system

Accessories

Grilles

| FINISHED HEIGHT | NUMBER | MSRP |
|-------------------------------|---------|-------|
| Framed | | |
| 83" (2108) Classic Louvered | 7003520 | \$395 |
| 88" (2235) Classic Louvered | 7003524 | \$500 |
| Overlay or Flush Inset | | |
| 83" (2108) Grille Frame | 7003532 | \$295 |
| 84" (2134) Grille Frame | 7007137 | \$275 |
| 88" (2235) Grille Frame | 7003536 | \$275 |
| Stainless Steel | | |
| 83" (2108) Pro Louvered | 7003544 | \$430 |
| 84" (2134) Pro Louvered | 7007133 | \$485 |
| 88" (2235) Pro Louvered | 7003548 | \$550 |

Framed Application

| DESCRIPTION | NUMBER | MSRP |
|--------------------------|---------|-------|
| Classic Louvered Insert* | 7014851 | \$205 |
| Handles (2) | | |
| Full-Length Standard | 7014890 | \$175 |
| Full-Length Extended | 7003465 | \$205 |
| 2-Panel Set | | |
| Stainless Steel | 7005088 | \$640 |
| White Enamel | 7005090 | \$600 |
| Partial Framed Kit | 7004855 | \$220 |

*Slides into overlay grille, 84" (2134) finished height.

Classic Series Refrigeration

Accessories

Flush Inset Panels – Stainless Steel

| DESCRIPTION | NUMBER | MSRP |
|-------------------------|---------|-------|
| Grille* | | |
| Solid SS Panel | 7008871 | \$295 |
| Pro Louvered | 7020159 | \$380 |
| Tubular Handle | | |
| Refrigerator Door Panel | 7030222 | \$830 |
| Freezer Door Panel | 7030221 | \$750 |
| Pro Handle | | |
| Refrigerator Door Panel | 7008920 | \$865 |
| Freezer Door Panel | 7008917 | \$750 |

*84" (2134) finished height.

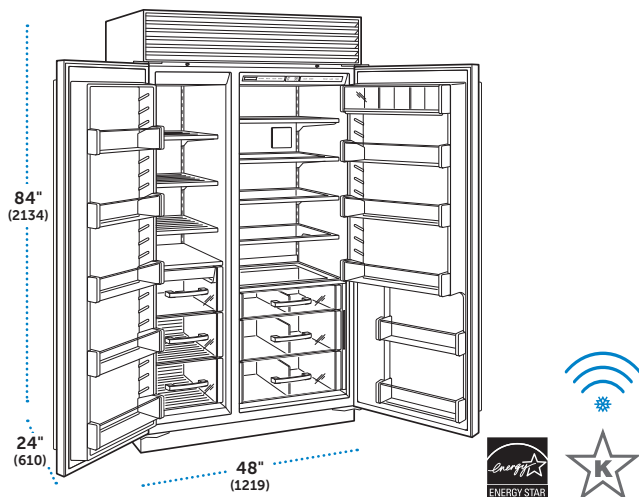
Filters and Cartridges

| DESCRIPTION | NUMBER | MSRP |
|------------------------------|---------|------|
| Replacement Filter | | |
| Water Filter | 4204490 | \$55 |
| Replacement Cartridge | | |
| Air Purification | 7007067 | \$55 |

Miscellaneous

| DESCRIPTION | NUMBER | MSRP |
|---------------------------|---------|-------|
| Mounting Kits | | |
| Custom Front Panels | 7020607 | \$235 |
| Custom Side Panel | 7003407 | \$115 |
| Side Panels | | |
| Stainless Steel (1) | 7003408 | \$785 |
| White Enamel (1) | 7003409 | \$540 |
| Stainless Steel Kickplate | 7011039 | \$45 |
| Egg Container | 7007506 | \$30 |
| 90° Door Stop | 7005865 | N/C |

Classic Series Refrigeration



48" Side-by-Side

| MODEL | MSRP |
|-------------|----------|
| BI-48S/O** | \$10,550 |
| BI-48S/S/TH | \$12,430 |
| BI-48S/S/PH | \$12,430 |

*Flush inset and framed design options are achieved by specifying an overlay model. Overlay models include a grille frame that accepts a classic louvered, solid stainless, pro louvered or custom panel insert.

†This model is not ENERGY STAR® certified.

SPECIFICATIONS

| | |
|-----------------------|--|
| Overall Dimensions | 48"W (1219) x 84"H (2134) x 24"D (610) |
| Refrigerator Capacity | 19.1 cu ft (541 L) |
| Freezer Capacity | 9.8 cu ft (278 L) |
| Shipping Weight | 630 lbs (286 kg) |
| Annual Energy Usage | |
| BI-48S/O | \$98 (811 kWh) |
| BI-48S/S/TH(PH) | \$89 (738 kWh) |

FEATURES

Refrigerator

- 4 adjustable glass shelves
- High-humidity drawer with divider
- 2 storage drawers with divider
- 3 adjustable and 2 stationary door shelves
- Adjustable dairy compartment
- Air purification system

Freezer

- Automatic ice maker
- 3 adjustable wire shelves
- 3 storage drawers
- 5 adjustable door shelves
- Water filtration system

Accessories

Grilles

| FINISHED HEIGHT | NUMBER | MSRP |
|-------------------------------|---------|-------|
| Framed | | |
| 83" (2108) Classic Louvered | 7003521 | \$430 |
| 88" (2235) Classic Louvered | 7003525 | \$520 |
| Overlay or Flush Inset | | |
| 83" (2108) Grille Frame | 7003533 | \$305 |
| 84" (2134) Grille Frame | 7007138 | \$285 |
| 88" (2235) Grille Frame | 7003537 | \$285 |
| Stainless Steel | | |
| 83" (2108) Pro Louvered | 7003545 | \$450 |
| 84" (2134) Pro Louvered | 7007134 | \$500 |
| 88" (2235) Pro Louvered | 7003549 | \$560 |

Framed Application

| DESCRIPTION | NUMBER | MSRP |
|--------------------------|---------|-------|
| Classic Louvered Insert* | 7014852 | \$220 |
| Handles (2) | | |
| Full-Length Standard | 7014890 | \$175 |
| Full-Length Extended | 7003465 | \$205 |
| 2-Panel Set | | |
| Stainless Steel | 7003460 | \$665 |
| White Enamel | 7004444 | \$630 |

*Slides into overlay grille, 84" (2134) finished height.

Classic Series Refrigeration

Accessories

Flush Inset Panels – Stainless Steel

| DESCRIPTION | NUMBER | MSRP |
|-------------------------|---------|-------|
| Grille* | | |
| Solid SS Panel | 7008872 | \$335 |
| Pro Louvered | 7020160 | \$395 |
| Tubular Handle | | |
| Refrigerator Door Panel | 7030223 | \$860 |
| Freezer Door Panel | 7030224 | \$780 |
| Pro Handle | | |
| Refrigerator Door Panel | 7008923 | \$860 |
| Freezer Door Panel | 7008926 | \$780 |

*84" (2134) finished height.

Retrofit Panel Kit

| DESCRIPTION | NUMBER | MSRP |
|------------------------|---------|-------|
| Framed | 7005226 | \$390 |
| Overlay or Flush Inset | 7003399 | \$390 |

Retrofit existing 600 Series panels onto a new Classic Series model.
Grille panel must be reduced in height by 1" (25).

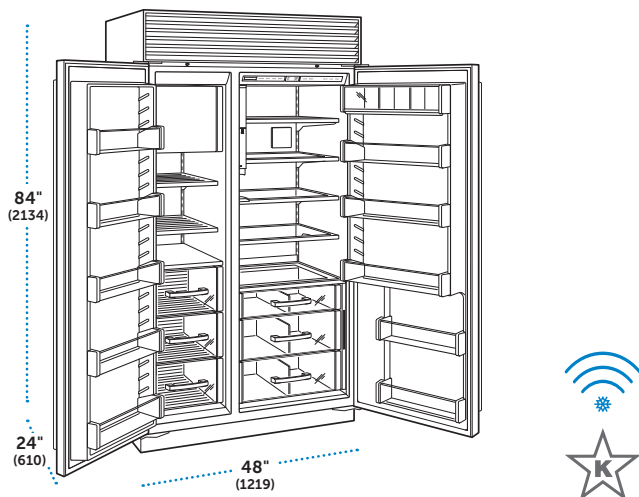
Filters and Cartridges

| DESCRIPTION | NUMBER | MSRP |
|------------------------------|---------|------|
| Replacement Filter | | |
| Water Filter | 4204490 | \$55 |
| Replacement Cartridge | | |
| Air Purification | 7007067 | \$55 |

Miscellaneous

| DESCRIPTION | NUMBER | MSRP |
|---------------------------|---------|-------|
| Mounting Kits | | |
| Custom Front Panels | 7020607 | \$235 |
| Custom Side Panel | 7003407 | \$115 |
| Side Panels | | |
| Stainless Steel (1) | 7003408 | \$785 |
| White Enamel (1) | 7003409 | \$540 |
| Stainless Steel Kickplate | 7011049 | \$45 |
| Egg Container | 7007506 | \$30 |
| 90° Door Stop | 7005865 | N/C |

Classic Series Refrigeration



48" Side-by-Side with Internal Dispenser

| MODEL | MSRP |
|---------------|----------|
| BI-48SID/O* | \$11,195 |
| BI-48SID/S/TH | \$13,075 |
| BI-48SID/S/PH | \$13,075 |

*Flush inset and framed design options are achieved by specifying an overlay model. Overlay models include a grille frame that accepts a classic louvered, solid stainless, pro louvered or custom panel insert.

SPECIFICATIONS

| | |
|-----------------------|--|
| Overall Dimensions | 48"W (1219) x 84"H (2134) x 24"D (610) |
| Refrigerator Capacity | 18.6 cu ft (527 L) |
| Freezer Capacity | 9.6 cu ft (272 L) |
| Shipping Weight | 656 lbs (298 kg) |
| Annual Energy Usage | \$97 (803 kWh) |

FEATURES

Refrigerator

- Internal ice and water dispenser
- 4 adjustable glass shelves
- High-humidity drawer with divider
- 2 storage drawers with divider
- 3 adjustable and 2 stationary door shelves
- Adjustable dairy compartment
- Air purification system

Freezer

- Automatic ice maker
- 2 adjustable wire shelves
- 3 storage drawers
- 5 adjustable door shelves
- Water filtration system

Accessories

Grilles

| FINISHED HEIGHT | NUMBER | MSRP |
|-------------------------------|---------|-------|
| Framed | | |
| 83" (2108) Classic Louvered | 7003521 | \$430 |
| 88" (2235) Classic Louvered | 7003525 | \$520 |
| Overlay or Flush Inset | | |
| 83" (2108) Grille Frame | 7003533 | \$305 |
| 84" (2134) Grille Frame | 7007138 | \$285 |
| 88" (2235) Grille Frame | 7003537 | \$285 |
| Stainless Steel | | |
| 83" (2108) Pro Louvered | 7003545 | \$450 |
| 84" (2134) Pro Louvered | 7007134 | \$500 |
| 88" (2235) Pro Louvered | 7003549 | \$560 |

Framed Application

| DESCRIPTION | NUMBER | MSRP |
|--------------------------|---------|-------|
| Classic Louvered Insert* | 7014852 | \$220 |
| Handles (2) | | |
| Full-Length Standard | 7014890 | \$175 |
| Full-Length Extended | 7003465 | \$205 |
| 2-Panel Set | | |
| Stainless Steel | 7003460 | \$665 |
| White Enamel | 7004444 | \$630 |

*Slides into overlay grille, 84" (2134) finished height.

Classic Series Refrigeration

Accessories

Flush Inset Panels – Stainless Steel

| DESCRIPTION | NUMBER | MSRP |
|-------------------------|---------|-------|
| Grille* | | |
| Solid SS Panel | 7008872 | \$335 |
| Pro Louvered | 7020160 | \$395 |
| Tubular Handle | | |
| Refrigerator Door Panel | 7030223 | \$860 |
| Freezer Door Panel | 7030224 | \$780 |
| Pro Handle | | |
| Refrigerator Door Panel | 7008923 | \$860 |
| Freezer Door Panel | 7008926 | \$780 |

*84" (2134) finished height.

Retrofit Panel Kit

| DESCRIPTION | NUMBER | MSRP |
|------------------------|---------|-------|
| Framed | 7005226 | \$390 |
| Overlay or Flush Inset | 7003399 | \$390 |

Retrofit existing 600 Series panels onto a new Classic Series model.
Grille panel must be reduced in height by 1" (25).

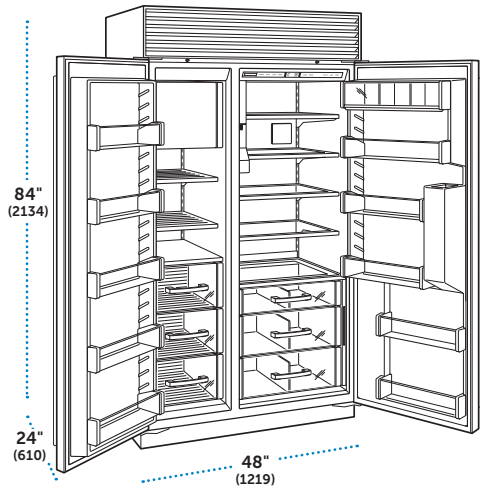
Filters and Cartridges

| DESCRIPTION | NUMBER | MSRP |
|------------------------------|---------|------|
| Replacement Filter | | |
| Water Filter | 4204490 | \$55 |
| Replacement Cartridge | | |
| Air Purification | 7007067 | \$55 |

Miscellaneous

| DESCRIPTION | NUMBER | MSRP |
|---------------------------|---------|-------|
| Mounting Kits | | |
| Custom Front Panels | 7020607 | \$235 |
| Custom Side Panel | 7003407 | \$115 |
| Side Panels | | |
| Stainless Steel (1) | 7003408 | \$785 |
| White Enamel (1) | 7003409 | \$540 |
| Stainless Steel Kickplate | 7011049 | \$45 |
| Egg Container | 7007506 | \$30 |
| 90° Door Stop | 7005865 | N/C |

Classic Series Refrigeration



48" Side-by-Side with Dispenser

| MODEL | MSRP |
|--------------|----------|
| BI-48SD/O* | \$11,625 |
| BI-48SD/S/TH | \$13,505 |
| BI-48SD/S/PH | \$13,505 |

*Flush inset and framed design options are achieved by specifying an overlay model. Overlay models include a grille frame that accepts a classic louvered, solid stainless, pro louvered or custom panel insert.

SPECIFICATIONS

| | |
|-----------------------|--|
| Overall Dimensions | 48"W (1219) x 84"H (2134) x 24"D (610) |
| Refrigerator Capacity | 18.8 cu ft (532 L) |
| Freezer Capacity | 9.6 cu ft (272 L) |
| Shipping Weight | 656 lbs (298 kg) |
| Annual Energy Usage | \$105 (867 kWh) |

FEATURES

Refrigerator

- 4 adjustable glass shelves
- High-humidity drawer with divider
- 2 storage drawers with divider
- 3 adjustable and 2 stationary door shelves
- Adjustable dairy compartment
- Air purification system

Freezer

- Automatic ice maker with dispenser
- 2 adjustable wire shelves
- 3 storage drawers
- 5 adjustable door shelves
- Water filtration system

Accessories

Grilles

| FINISHED HEIGHT | NUMBER | MSRP |
|-------------------------------|---------|-------|
| Framed | | |
| 83" (2108) Classic Louvered | 7003521 | \$430 |
| 88" (2235) Classic Louvered | 7003525 | \$520 |
| Overlay or Flush Inset | | |
| 83" (2108) Grille Frame | 7003533 | \$305 |
| 84" (2134) Grille Frame | 7007138 | \$285 |
| 88" (2235) Grille Frame | 7003537 | \$285 |
| Stainless Steel | | |
| 83" (2108) Pro Louvered | 7003545 | \$450 |
| 84" (2134) Pro Louvered | 7007134 | \$500 |
| 88" (2235) Pro Louvered | 7003549 | \$560 |

Framed Application

| DESCRIPTION | NUMBER | MSRP |
|--------------------------|---------|-------|
| Classic Louvered Insert* | 7014852 | \$220 |
| Handles (2) | | |
| Full-Length Standard | 7014890 | \$175 |
| Full-Length Extended | 7003465 | \$205 |
| 2-Panel Set | | |
| Stainless Steel | 7005089 | \$710 |
| White Enamel | 7005091 | \$650 |
| Partial Framed Kit | 7004855 | \$220 |

*Slides into overlay grille, 84" (2134) finished height.

Classic Series Refrigeration

Accessories

Flush Inset Panels – Stainless Steel

| DESCRIPTION | NUMBER | MSRP |
|-------------------------|---------|-------|
| Grille* | | |
| Solid SS Panel | 7008872 | \$335 |
| Pro Louvered | 7020160 | \$395 |
| Tubular Handle | | |
| Refrigerator Door Panel | 7030225 | \$860 |
| Freezer Door Panel | 7030224 | \$780 |
| Pro Handle | | |
| Refrigerator Door Panel | 7008929 | \$860 |
| Freezer Door Panel | 7008926 | \$780 |

*84" (2134) finished height.

Filters and Cartridges

| DESCRIPTION | NUMBER | MSRP |
|------------------------------|---------|------|
| Replacement Filter | | |
| Water Filter | 4204490 | \$55 |
| Replacement Cartridge | | |
| Air Purification | 7007067 | \$55 |

Miscellaneous

| DESCRIPTION | NUMBER | MSRP |
|---------------------------|---------|-------|
| Mounting Kits | | |
| Custom Front Panels | 7020607 | \$235 |
| Custom Side Panel | 7003407 | \$115 |
| Side Panels | | |
| Stainless Steel (1) | 7003408 | \$785 |
| White Enamel (1) | 7003409 | \$540 |
| Stainless Steel Kickplate | 7011049 | \$45 |
| Egg Container | 7007506 | \$30 |
| 90° Door Stop | 7005865 | N/C |

PRO Series Refrigeration

The only thing more impressive than its bold exterior is the groundbreaking technology and design found inside the reimagined PRO Series. Fitted with the most advanced preservation system, the PRO 48 and PRO 36 continue to fulfill our promise of keeping food fresher longer. Crafted with stainless steel inside and out, it checks all the boxes for those desiring the most luxurious, professional aesthetic. And now in a smaller width, it opens up new design opportunities for small and large kitchens alike. The PRO 36 and PRO 48 are available with or without a glass door and may be either built-in or freestanding.

- Can be used freestanding or installed as a standard or flush built-in application.
- Handles coordinate with Wolf ranges and Cove dishwashers.
- Stainless steel interior and exterior.
- Dual refrigeration system enhanced with dual evaporators allow independent control of storage conditions in refrigerator cabinet and drawer compartments.
- Advanced water filtration and air purification systems.
- Exterior touch control panels.
- Flip-up grille provides easy access for routine maintenance.
- All models are Star-K certified.

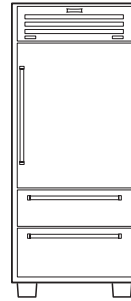
MODEL NUMBER KEY

| | |
|--------------------------|-----|
| PRO Series Refrigeration | PRO |
| Glass Door | G |
| High Altitude Glass Door | A |
| Left-Hinge | -LH |
| Right-Hinge | -RH |

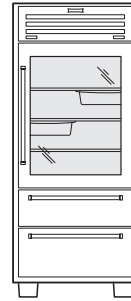
Annual energy usage based on 12 cents per kilowatt hour.

Models PRO4850A and PRO3650A with high altitude glass door are available for installations above 5,000' (1524 m) in elevation.

PRO 36 Models

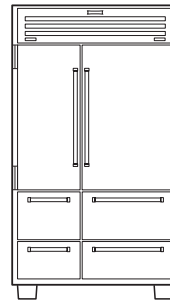


PRO3650

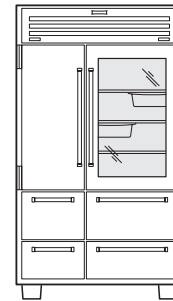


PRO3650G

PRO 48 Models

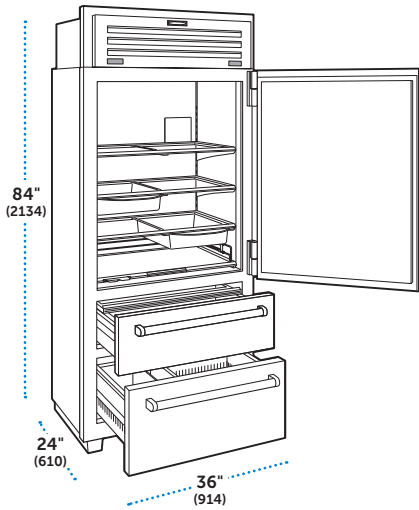


PRO4850



PRO4850G

PRO Series Refrigeration



36" PRO Refrigerator/Freezer

| MODEL | MSRP |
|---------|----------|
| PRO3650 | \$14,175 |

SPECIFICATIONS

| | |
|-----------------------|---------------------------------------|
| Overall Dimensions | 36"W (914) x 84"H (2134) x 24"D (610) |
| Refrigerator Capacity | 18.4 cu ft (521 L) |
| Freezer Capacity | 4.3 cu ft (122 L) |
| Shipping Weight | 630 lbs (286 kg) |
| Annual Energy Usage | \$80 (664 kWh) |

FEATURES

Refrigerator

- 3 adjustable glass shelves
- 2 stainless steel slide-out bins
- Sliding glass shelf with folding gates
- 1 crisper drawer with cover
- Set of interchangeable drawer dividers
- Air purification system

Freezer

- Automatic ice maker
- Full-extension drawer
- Stainless steel ice bucket
- Water filtration system

Accessories

Stainless Steel Panels

| DESCRIPTION | NUMBER | MSRP |
|-------------|---------|-------|
| Side Panel | 9013058 | \$630 |
| Top Panel* | 9013005 | \$215 |
| Kickplate | 9013060 | \$95 |

*Requires at least one side panel for proper installation.

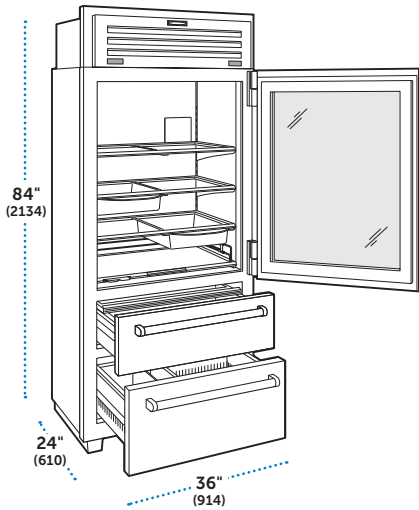
Filters and Cartridges

| DESCRIPTION | NUMBER | MSRP |
|------------------------------|---------|------|
| Replacement Filter | | |
| Water Filter | 4204490 | \$55 |
| Replacement Cartridge | | |
| Air Purification | 7007067 | \$55 |

Miscellaneous

| DESCRIPTION | NUMBER | MSRP |
|---------------------------|---------|-------|
| Dual Installation Kit* | 9013050 | \$245 |
| Slide-Out Bin | 9013059 | \$155 |
| Drawer Divider Set | 9018894 | \$130 |
| Slide-Out Shelf Gates (2) | 9019829 | \$75 |
| Egg Container | 7007506 | \$30 |
| 90° Door Stop | 0000046 | N/C |

*Handle-to-handle installation only.



36" PRO Refrigerator/Freezer with Glass Door

| MODEL | MSRP |
|----------|----------|
| PRO3650G | \$14,175 |

SPECIFICATIONS

| | |
|-----------------------|---------------------------------------|
| Overall Dimensions | 36"W (914) x 84"H (2134) x 24"D (610) |
| Refrigerator Capacity | 18.4 cu ft (521 L) |
| Freezer Capacity | 4.3 cu ft (122 L) |
| Shipping Weight | 650 lbs (295 kg) |
| Annual Energy Usage | \$80 (664 kWh) |

FEATURES

Refrigerator

- 3 adjustable glass shelves
- 2 stainless steel slide-out bins
- Sliding glass shelf with folding gates
- 1 crisper drawer
- Crisper cover
- Set of interchangeable drawer dividers
- Triple-pane, UV-resistant glass door
- High altitude glass available
- Air purification system

Freezer

- Automatic ice maker
- Full-extension drawer
- Stainless steel ice bucket
- Water filtration system

Accessories

Stainless Steel Panels

| DESCRIPTION | NUMBER | MSRP |
|-------------|---------|-------|
| Side Panel | 9013058 | \$630 |
| Top Panel* | 9013005 | \$215 |
| Kickplate | 9013060 | \$95 |

*Requires at least one side panel for proper installation.

Filters and Cartridges

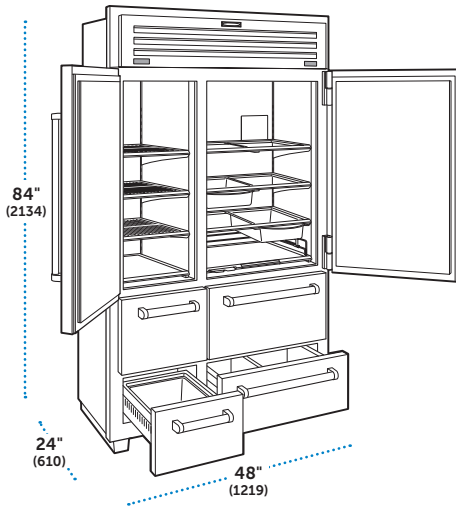
| DESCRIPTION | NUMBER | MSRP |
|------------------------------|---------|------|
| Replacement Filter | | |
| Water Filter | 4204490 | \$55 |
| Replacement Cartridge | | |
| Air Purification | 7007067 | \$55 |

Miscellaneous

| DESCRIPTION | NUMBER | MSRP |
|---------------------------|---------|-------|
| Dual Installation Kit* | 9013050 | \$245 |
| Slide-Out Bin | 9013059 | \$155 |
| Drawer Divider Set | 9018894 | \$130 |
| Slide-Out Shelf Gates (2) | 9019829 | \$75 |
| Egg Container | 7007506 | \$30 |
| 90° Door Stop | 0000046 | N/C |

*Handle-to-handle installation only.

PRO Series Refrigeration



48" PRO Refrigerator/Freezer

| MODEL | MSRP |
|---------|----------|
| PRO4850 | \$18,235 |

SPECIFICATIONS

| | |
|-----------------------|--|
| Overall Dimensions | 48"W (1219) x 84"H (2134) x 24"D (610) |
| Refrigerator Capacity | 18.7 cu ft (530 L) |
| Freezer Capacity | 11.7 cu ft (332 L) |
| Shipping Weight | 860 lbs (390 kg) |
| Annual Energy Usage | \$101 (841 kWh) |

FEATURES

Refrigerator

- 3 adjustable glass shelves
- 2 stainless steel slide-out bins
- Sliding glass shelf with folding gates
- 2 storage drawers
- Crisper cover
- Set of interchangeable drawer dividers
- Air purification system

Freezer

- Automatic ice maker
- 3 adjustable stainless steel shelves
- 2 storage drawers
- Stainless steel ice bucket
- Water filtration system

Accessories

Stainless Steel Panels

| DESCRIPTION | NUMBER | MSRP |
|-------------|---------|-------|
| Side Panel | 9013058 | \$630 |
| Top Panel* | 9013057 | \$255 |
| Kickplate | 9013060 | \$95 |

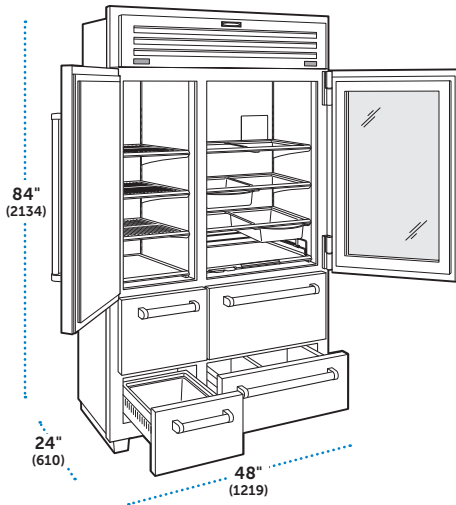
*Requires at least one side panel for proper installation.

Filters and Cartridges

| DESCRIPTION | NUMBER | MSRP |
|------------------------------|---------|------|
| Replacement Filter | | |
| Water Filter | 4204490 | \$55 |
| Replacement Cartridge | | |
| Air Purification | 7007067 | \$55 |

Miscellaneous

| DESCRIPTION | NUMBER | MSRP |
|---------------------------|---------|-------|
| Slide-Out Bin | 0000045 | \$155 |
| Drawer Divider Set | 9018893 | \$130 |
| Slide-Out Shelf Gates (2) | 9019829 | \$75 |
| Egg Container | 7007506 | \$30 |
| 90° Door Stop | 0000046 | N/C |



48" PRO Refrigerator/Freezer with Glass Door

| MODEL | MSRP |
|----------|----------|
| PRO4850G | \$18,235 |

SPECIFICATIONS

| | |
|-----------------------|--|
| Overall Dimensions | 48"W (1219) x 84"H (2134) x 24"D (610) |
| Refrigerator Capacity | 18.7 cu ft (530 L) |
| Freezer Capacity | 11.7 cu ft (332 L) |
| Shipping Weight | 880 lbs (399 kg) |
| Annual Energy Usage | \$101 (841 kWh) |

FEATURES

Refrigerator

- 3 adjustable glass shelves
- 2 stainless steel slide-out bins
- Sliding glass shelf with folding gates
- 2 storage drawers
- Crisper cover
- Set of interchangeable drawer dividers
- Triple-pane, UV-resistant glass door
- High altitude glass available
- Air purification system

Freezer

- Automatic ice maker
- 3 adjustable stainless steel shelves
- 2 storage drawers
- Stainless steel ice bucket
- Water filtration system

Accessories

Stainless Steel Panels

| DESCRIPTION | NUMBER | MSRP |
|-------------|---------|-------|
| Side Panel | 9013058 | \$630 |
| Top Panel* | 9013057 | \$255 |
| Kickplate | 9013060 | \$95 |

*Requires at least one side panel for proper installation.

Filters and Cartridges

| DESCRIPTION | NUMBER | MSRP |
|------------------------------|---------|------|
| Replacement Filter | | |
| Water Filter | 4204490 | \$55 |
| Replacement Cartridge | | |
| Air Purification | 7007067 | \$55 |

Miscellaneous

| DESCRIPTION | NUMBER | MSRP |
|---------------------------|---------|-------|
| Slide-Out Bin | 0000045 | \$155 |
| Drawer Divider Set | 9018893 | \$130 |
| Slide-Out Shelf Gates (2) | 9019829 | \$75 |
| Egg Container | 7007506 | \$30 |
| 90° Door Stop | 0000046 | N/C |

Designer Series Refrigeration

Sub-Zero Designer Series models are installed flush to merge seamlessly into their surroundings, making them as practical and beautiful in the master suite, bar, or theatre as in the kitchen. For a more traditional look, Designer Series units can be fitted with stainless steel accessory panels.

MODEL NUMBER KEY

| | |
|----------------------------------|-----|
| Designer Series Column | IC |
| Designer Series Tall | IT |
| Designer Series Drawers | ID |
| All Refrigerator | R |
| All Freezer | F |
| Combination Refrigerator/Freezer | C |
| Internal Dispenser | ID |
| Ice Maker | I |
| Outdoor Model | O |
| Right-Hinge | -RH |
| Left-Hinge | -LH |

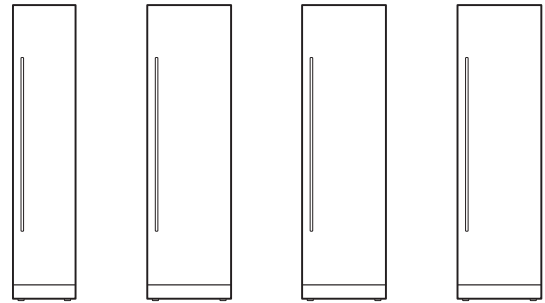
Models are shown with stainless steel panels and tubular handles.

Specify right-hinge (-RH) or left-hinge (-LH) door when ordering, excludes drawer models.

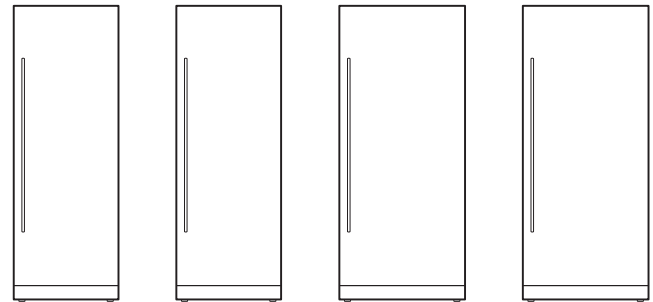
Overall dimensions do not include panels or handles. Dimensions will vary with panel thickness.

Annual energy usage is based on 12 cents per kilowatt hour.

Column Models

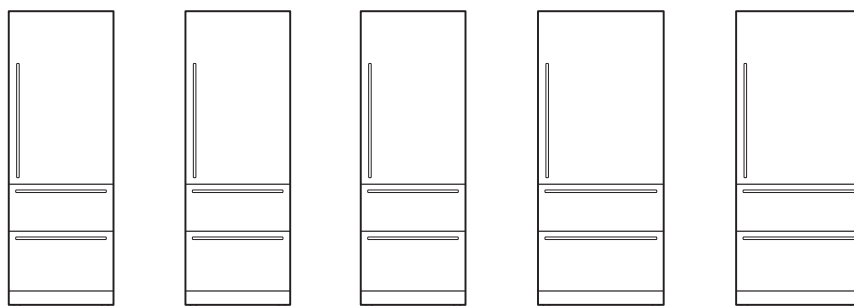


IC-18FI IC-24R IC-24FI IC-24C(I)



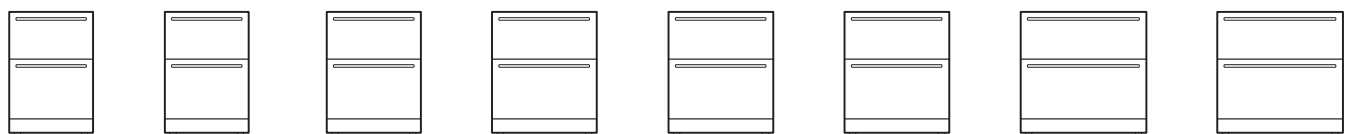
IC-30R(ID) IC-30FI IC-36R(ID) IC-36FI

Tall Models

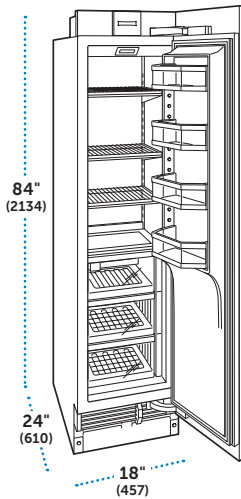


IT-30R(ID) IT-30FI IT-30CI(ID) IT-36R(ID) IT-36CI(ID)

Drawer Models



ID-24R(O) ID-24F(I) ID-27R ID-30R ID-30F(I) ID-30C(I) ID-36R ID-36C(I)



18" All Freezer – Column

| MODEL | MSRP |
|---------|---------|
| IC-18FI | \$7,240 |

SPECIFICATIONS

| | |
|---------------------|---------------------------------------|
| Overall Dimensions | 18"W (457) x 84"H (2134) x 24"D (610) |
| Freezer Capacity | 8.4 cu ft (238 L) |
| Shipping Weight | 260 lbs (118 kg) |
| Annual Energy Usage | \$59 (490 kWh) |

FEATURES

- 3 adjustable wire shelves
- 3 storage drawers
- 4 adjustable door shelves
- Automatic ice maker
- Water filtration system

Accessories

Stainless Steel Door Panels

| DESCRIPTION | NUMBER | MSRP |
|--|---------|-------|
| 84" (2134) Fin Height – 4" (102) Toe Kick | | |
| Tubular Handle / RH | 7025372 | \$565 |
| Tubular Handle / LH | 7025373 | \$565 |
| Pro Handle / RH | 7025324 | \$565 |
| Pro Handle / LH | 7025325 | \$565 |
| 84" (2134) Fin Height – 6" (152) Toe Kick | | |
| Tubular Handle / RH | 7025374 | \$565 |
| Tubular Handle / LH | 7025375 | \$565 |
| Pro Handle / RH | 7025326 | \$565 |
| Pro Handle / LH | 7025327 | \$565 |

Dual Installation

| DESCRIPTION | NUMBER | MSRP |
|-------------------------------|---------|-------|
| Dual Installation Kits | | |
| Handle-to-Handle | 7023628 | \$245 |
| Handle-to-Hinge | 7029829 | \$245 |
| Hinge-to-Hinge | 7029830 | \$245 |
| Kickplates* | | |
| 36" (914) Stainless Steel | 7026837 | \$55 |
| 42" (1067) Stainless Steel | 7027399 | \$55 |
| 48" (1219) Stainless Steel | 7026838 | \$55 |
| 54" (1372) Stainless Steel | 7026839 | \$55 |

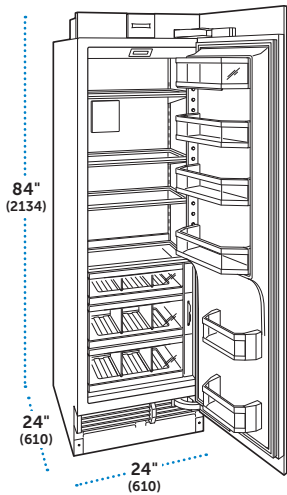
*Will accommodate 4" (102) and 6" (152) toe kick heights.

Miscellaneous

| DESCRIPTION | NUMBER | MSRP |
|----------------------------|---------|---------|
| Enclosure Panels | | |
| Stainless Steel Side (1)* | 7031340 | \$1,010 |
| Stainless Steel Top | 7031341 | \$390 |
| Reduced Toe Kick Divider** | 7029956 | \$45 |
| Water Filter | 4204490 | \$55 |

*Two side enclosures are required to install top enclosure.

**Required for toekicks from 3⁷/₈" (98) to 2" (51).



24" All Refrigerator – Column

| MODEL | MSRP |
|--------|---------|
| IC-24R | \$7,505 |

SPECIFICATIONS

| | |
|-----------------------|---------------------------------------|
| Overall Dimensions | 24"W (610) x 84"H (2134) x 24"D (610) |
| Refrigerator Capacity | 12.9 cu ft (365 L) |
| Shipping Weight | 340 lbs (154 kg) |
| Annual Energy Usage | \$36 (298 kWh) |

FEATURES

- 3 adjustable glass shelves
- 2 high humidity crisper drawers with dividers
- Deli drawer with dividers
- 3 adjustable and 2 stationary door shelves
- Adjustable dairy compartment
- Air purification system

Accessories

Stainless Steel Door Panels

| DESCRIPTION | NUMBER | MSRP |
|--|---------|-------|
| 84" (2134) Fin Height – 4" (102) Toe Kick | | |
| Tubular Handle / RH | 7023710 | \$675 |
| Tubular Handle / LH | 7023711 | \$675 |
| Pro Handle / RH | 7025320 | \$675 |
| Pro Handle / LH | 7025321 | \$675 |
| 84" (2134) Fin Height – 6" (152) Toe Kick | | |
| Tubular Handle / RH | 7025370 | \$675 |
| Tubular Handle / LH | 7025371 | \$675 |
| Pro Handle / RH | 7025322 | \$675 |
| Pro Handle / LH | 7025323 | \$675 |

Dual Installation

| DESCRIPTION | NUMBER | MSRP |
|-------------------------------|---------|-------|
| Dual Installation Kits | | |
| Handle-to-Handle | 7023628 | \$245 |
| Handle-to-Hinge | 7029829 | \$245 |
| Hinge-to-Hinge | 7029830 | \$245 |
| Kickplates* | | |
| 42" (1067) Stainless Steel | 7027399 | \$55 |
| 48" (1219) Stainless Steel | 7026838 | \$55 |
| 54" (1372) Stainless Steel | 7026839 | \$55 |
| 60" (1524) Stainless Steel | 7026840 | \$65 |

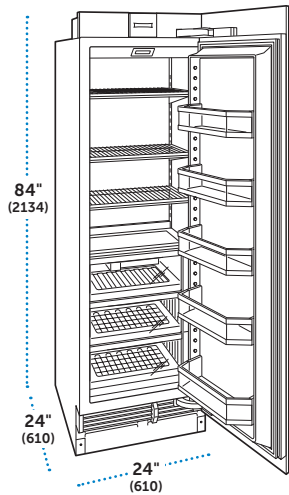
*Will accommodate 4" (102) and 6" (152) toe kick heights.

Miscellaneous

| DESCRIPTION | NUMBER | MSRP |
|----------------------------|---------|---------|
| Enclosure Panels | | |
| Stainless Steel Side (1)* | 7031340 | \$1,010 |
| Stainless Steel Top | 7031342 | \$430 |
| Reduced Toe Kick Divider** | 7029956 | \$45 |
| Egg Container | 7007506 | \$30 |
| Air Purification Cartridge | 7007067 | \$55 |

*Two side enclosures are required to install top enclosure.

**Required for toekicks from 3⁷/₈" (98) to 2" (51).



24" All Freezer – Column

| MODEL | MSRP |
|---------|---------|
| IC-24FI | \$7,670 |

SPECIFICATIONS

| | |
|---------------------|---------------------------------------|
| Overall Dimensions | 24"W (610) x 84"H (2134) x 24"D (610) |
| Freezer Capacity | 12.3 cu ft (348 L) |
| Shipping Weight | 340 lbs (154 kg) |
| Annual Energy Usage | \$67 (558 kWh) |

FEATURES

- 3 adjustable wire shelves
- 3 storage drawers
- 5 adjustable door shelves
- Automatic ice maker
- Water filtration system

Accessories

Stainless Steel Door Panels

| DESCRIPTION | NUMBER | MSRP |
|--|---------|-------|
| 84" (2134) Fin Height – 4" (102) Toe Kick | | |
| Tubular Handle / RH | 7023710 | \$675 |
| Tubular Handle / LH | 7023711 | \$675 |
| Pro Handle / RH | 7025320 | \$675 |
| Pro Handle / LH | 7025321 | \$675 |
| 84" (2134) Fin Height – 6" (152) Toe Kick | | |
| Tubular Handle / RH | 7025370 | \$675 |
| Tubular Handle / LH | 7025371 | \$675 |
| Pro Handle / RH | 7025322 | \$675 |
| Pro Handle / LH | 7025323 | \$675 |

Dual Installation

| DESCRIPTION | NUMBER | MSRP |
|-------------------------------|---------|-------|
| Dual Installation Kits | | |
| Handle-to-Handle | 7023628 | \$245 |
| Handle-to-Hinge | 7029829 | \$245 |
| Hinge-to-Hinge | 7029830 | \$245 |
| Kickplates* | | |
| 42" (1067) Stainless Steel | 7027399 | \$55 |
| 48" (1219) Stainless Steel | 7026838 | \$55 |
| 54" (1372) Stainless Steel | 7026839 | \$55 |
| 60" (1524) Stainless Steel | 7026840 | \$65 |

*Will accommodate 4" (102) and 6" (152) toe kick heights.

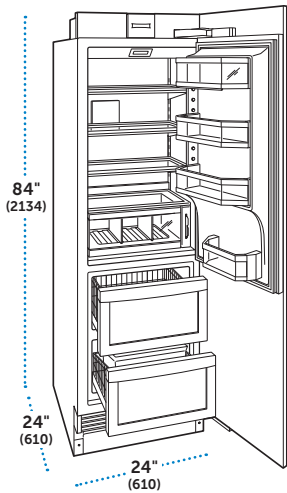
Miscellaneous

| DESCRIPTION | NUMBER | MSRP |
|----------------------------|---------|---------|
| Enclosure Panels | | |
| Stainless Steel Side (1)* | 7031340 | \$1,010 |
| Stainless Steel Top | 7031342 | \$430 |
| Reduced Toe Kick Divider** | 7029956 | \$45 |
| Water Filter | 4204490 | \$55 |

*Two side enclosures are required to install top enclosure.

**Required for toekicks from 3⁷/₈" (98) to 2" (51).

Designer Series Refrigeration



24" Combination – Column

| MODEL | MSRP |
|---------|---------|
| IC-24C | \$7,355 |
| IC-24CI | \$7,515 |

SPECIFICATIONS

| | |
|-----------------------|---|
| Overall Dimensions | 24"W (610) x 84"H (2134) x 24"D (610) |
| Refrigerator Capacity | 8.0 cu ft (227 L) |
| Freezer Capacity | 3.1 cu ft (88 L) |
| Shipping Weight | 260 lbs (118 kg) |
| Annual Energy Usage | IC-24C \$48 (400 kWh) IC-24CI \$60 (500 kWh) |

FEATURES

- 3 adjustable glass shelves
- 1 high humidity crisper drawer with dividers
- 2 adjustable and 1 stationary door shelves
- Adjustable dairy compartment
- Air purification system
- Automatic ice maker (IC-24CI)
- Water filtration system (IC-24CI)

Accessories

Stainless Steel Door Panels

| DESCRIPTION | NUMBER | MSRP |
|--|---------|-------|
| 84" (2134) Fin Height – 4" (102) Toe Kick | | |
| Tubular Handle / RH | 7023710 | \$675 |
| Tubular Handle / LH | 7023711 | \$675 |
| Pro Handle / RH | 7025320 | \$675 |
| Pro Handle / LH | 7025321 | \$675 |
| 84" (2134) Fin Height – 6" (152) Toe Kick | | |
| Tubular Handle / RH | 7025370 | \$675 |
| Tubular Handle / LH | 7025371 | \$675 |
| Pro Handle / RH | 7025322 | \$675 |
| Pro Handle / LH | 7025323 | \$675 |

Dual Installation

| DESCRIPTION | NUMBER | MSRP |
|-------------------------------|---------|-------|
| Dual Installation Kits | | |
| Handle-to-Handle | 7023628 | \$245 |
| Handle-to-Hinge | 7029829 | \$245 |
| Hinge-to-Hinge | 7029830 | \$245 |
| Kickplates* | | |
| 42" (1067) Stainless Steel | 7027399 | \$55 |
| 48" (1219) Stainless Steel | 7026838 | \$55 |
| 54" (1372) Stainless Steel | 7026839 | \$55 |
| 60" (1524) Stainless Steel | 7026840 | \$65 |

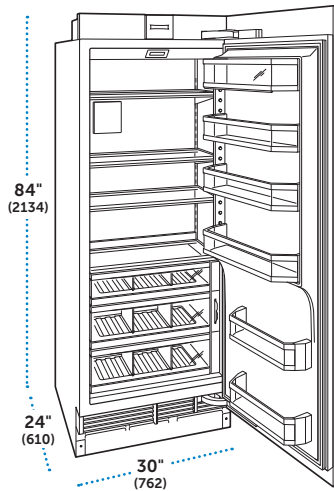
*Will accommodate 4" (102) and 6" (152) toe kick heights.

Miscellaneous

| DESCRIPTION | NUMBER | MSRP |
|----------------------------|---------|---------|
| Enclosure Panels | | |
| Stainless Steel Side (1)* | 7031340 | \$1,010 |
| Stainless Steel Top | 7031342 | \$430 |
| Reduced Toe Kick Divider** | 7029956 | \$45 |
| Egg Container | 7007506 | \$30 |
| Air Purification Cartridge | 7007067 | \$55 |
| Water Filter | 4204490 | \$55 |

*Two side enclosures are required to install top enclosure.

**Required for toekicks from 3³/₈" (98) to 2" (51).



30" All Refrigerator – Column

| MODEL | MSRP |
|----------|---------|
| IC-30R | \$7,940 |
| IC-30RID | \$8,315 |

SPECIFICATIONS

| | |
|-----------------------|---------------------------------------|
| Overall Dimensions | 30"W (762) x 84"H (2134) x 24"D (610) |
| Refrigerator Capacity | 17.3 cu ft (490 L) |
| Shipping Weight | 400 lbs (181 kg) |
| Annual Energy Usage | \$40 (330 kWh) |

FEATURES

- 3 adjustable glass shelves
- 2 high humidity crisper drawers with dividers
- Deli drawer with dividers
- 3 adjustable and 2 stationary door shelves
- Adjustable dairy compartment
- Air purification system
- Internal water dispenser (IC-30RID)
- Water filtration system (IC-30RID)

Accessories

Stainless Steel Door Panels

| DESCRIPTION | NUMBER | MSRP |
|--|---------|-------|
| 84" (2134) Fin Height – 4" (102) Toe Kick | | |
| Tubular Handle / RH | 7023626 | \$785 |
| Tubular Handle / LH | 7023627 | \$785 |
| Pro Handle / RH | 7025304 | \$785 |
| Pro Handle / LH | 7025305 | \$785 |
| 84" (2134) Fin Height – 6" (152) Toe Kick | | |
| Tubular Handle / RH | 7025364 | \$785 |
| Tubular Handle / LH | 7025365 | \$785 |
| Pro Handle / RH | 7025306 | \$785 |
| Pro Handle / LH | 7025307 | \$785 |

Dual Installation

| DESCRIPTION | NUMBER | MSRP |
|-------------------------------|---------|-------|
| Dual Installation Kits | | |
| Handle-to-Handle | 7023628 | \$245 |
| Handle-to-Hinge | 7029829 | \$245 |
| Hinge-to-Hinge | 7029830 | \$245 |
| Kickplates* | | |
| 48" (1219) Stainless Steel | 7026838 | \$55 |
| 54" (1372) Stainless Steel | 7026839 | \$55 |
| 60" (1524) Stainless Steel | 7026840 | \$65 |
| 66" (1676) Stainless Steel | 7026841 | \$75 |

*Will accommodate 4" (102) and 6" (152) toe kick heights.

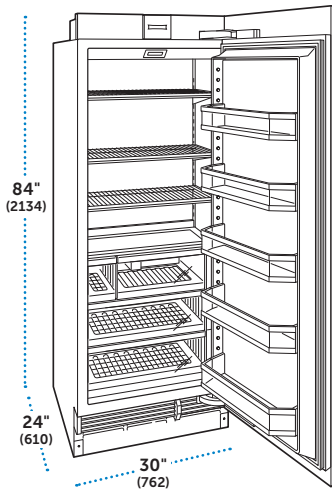
Miscellaneous

| DESCRIPTION | NUMBER | MSRP |
|----------------------------|---------|---------|
| Enclosure Panels | | |
| Stainless Steel Side (1)* | 7031340 | \$1,010 |
| Stainless Steel Top | 7031343 | \$460 |
| Reduced Toe Kick Divider** | 7029956 | \$45 |
| Egg Container | 7007506 | \$30 |
| Water Filter | 4204490 | \$55 |
| Air Purification Cartridge | 7007067 | \$55 |

*Two side enclosures are required to install top enclosure.

**Required for toekicks from 3⁷/₈" (98) to 2" (51).

Designer Series Refrigeration



30" All Freezer – Column

| MODEL | MSRP |
|---------|---------|
| IC-30FI | \$8,105 |

SPECIFICATIONS

| | |
|---------------------|---------------------------------------|
| Overall Dimensions | 30"W (762) x 84"H (2134) x 24"D (610) |
| Freezer Capacity | 15.3 cu ft (433 L) |
| Shipping Weight | 400 lbs (181 kg) |
| Annual Energy Usage | \$67 (557 kWh) |

FEATURES

- 3 adjustable wire shelves
- 3 storage drawers
- 5 adjustable door shelves
- Automatic ice maker
- Water filtration system

Accessories

Stainless Steel Door Panels

| DESCRIPTION | NUMBER | MSRP |
|--|---------|-------|
| 84" (2134) Fin Height – 4" (102) Toe Kick | | |
| Tubular Handle / RH | 7023626 | \$785 |
| Tubular Handle / LH | 7023627 | \$785 |
| Pro Handle / RH | 7025304 | \$785 |
| Pro Handle / LH | 7025305 | \$785 |
| 84" (2134) Fin Height – 6" (152) Toe Kick | | |
| Tubular Handle / RH | 7025364 | \$785 |
| Tubular Handle / LH | 7025365 | \$785 |
| Pro Handle / RH | 7025306 | \$785 |
| Pro Handle / LH | 7025307 | \$785 |

Dual Installation

| DESCRIPTION | NUMBER | MSRP |
|-------------------------------|---------|-------|
| Dual Installation Kits | | |
| Handle-to-Handle | 7023628 | \$245 |
| Handle-to-Hinge | 7029829 | \$245 |
| Hinge-to-Hinge | 7029830 | \$245 |
| Kickplates* | | |
| 48" (1219) Stainless Steel | 7026838 | \$55 |
| 54" (1372) Stainless Steel | 7026839 | \$55 |
| 60" (1524) Stainless Steel | 7026840 | \$65 |
| 66" (1676) Stainless Steel | 7026841 | \$75 |

*Will accommodate 4" (102) and 6" (152) toe kick heights.

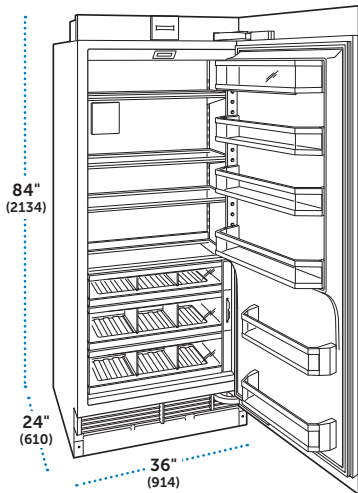
Miscellaneous

| DESCRIPTION | NUMBER | MSRP |
|----------------------------|---------|---------|
| Enclosure Panels | | |
| Stainless Steel Side (1)* | 7031340 | \$1,010 |
| Stainless Steel Top | 7031343 | \$460 |
| Reduced Toe Kick Divider** | 7029956 | \$45 |
| Water Filter | 4204490 | \$55 |

*Two side enclosures are required to install top enclosure.

**Required for toekicks from 3⁷/₈" (98) to 2" (51).

Designer Series Refrigeration



36" All Refrigerator – Column

| MODEL | MSRP |
|----------|---------|
| IC-36R | \$8,370 |
| IC-36RID | \$8,745 |

SPECIFICATIONS

| | |
|-----------------------|---------------------------------------|
| Overall Dimensions | 36"W (914) x 84"H (2134) x 24"D (610) |
| Refrigerator Capacity | 21.4 cu ft (606 L) |
| Shipping Weight | 460 lbs (209 kg) |
| Annual Energy Usage | \$44 (360 kWh) |

FEATURES

- 3 adjustable glass shelves
- 2 high humidity crisper drawers with dividers
- Deli drawer with dividers
- 3 adjustable and 2 stationary door shelves
- Adjustable dairy compartment
- Air purification system
- Internal water dispenser (IC-36RID)
- Water filtration system (IC-36RID)

Accessories

Stainless Steel Door Panels

| DESCRIPTION | NUMBER | MSRP |
|--|---------|-------|
| 84" (2134) Fin Height – 4" (102) Toe Kick | | |
| Tubular Handle / RH | 7025366 | \$890 |
| Tubular Handle / LH | 7025367 | \$890 |
| Pro Handle / RH | 7025316 | \$890 |
| Pro Handle / LH | 7025317 | \$890 |
| 84" (2134) Fin Height – 6" (152) Toe Kick | | |
| Tubular Handle / RH | 7025368 | \$890 |
| Tubular Handle / LH | 7025369 | \$890 |
| Pro Handle / RH | 7025318 | \$890 |
| Pro Handle / LH | 7025319 | \$890 |

Dual Installation

| DESCRIPTION | NUMBER | MSRP |
|-------------------------------|---------|-------|
| Dual Installation Kits | | |
| Handle-to-Handle | 7023628 | \$245 |
| Handle-to-Hinge | 7029829 | \$245 |
| Hinge-to-Hinge | 7029830 | \$245 |
| Kickplates* | | |
| 54" (1372) Stainless Steel | 7026839 | \$55 |
| 60" (1524) Stainless Steel | 7026840 | \$65 |
| 66" (1676) Stainless Steel | 7026841 | \$75 |
| 72" (1829) Stainless Steel | 7026842 | \$75 |

*Will accommodate 4" (102) and 6" (152) toe kick heights.

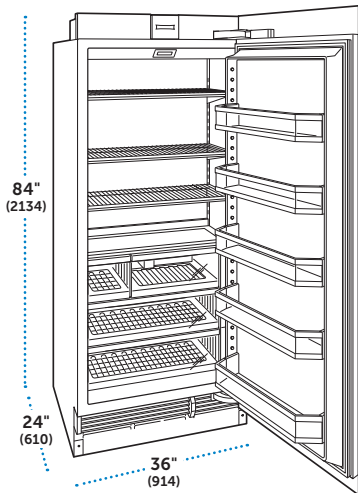
Miscellaneous

| DESCRIPTION | NUMBER | MSRP |
|----------------------------|---------|---------|
| Enclosure Panels | | |
| Stainless Steel Side (1)* | 7031340 | \$1,010 |
| Stainless Steel Top | 7031344 | \$510 |
| Reduced Toe Kick Divider** | 7029956 | \$45 |
| Egg Container | 7007506 | \$30 |
| Water Filter | 4204490 | \$55 |
| Air Purification Cartridge | 7007067 | \$55 |

*Two side enclosures are required to install top enclosure.

**Required for toekicks from 3³/₈" (98) to 2" (51).

Designer Series Refrigeration



36" All Freezer – Column

| MODEL | MSRP |
|---------|---------|
| IC-36FI | \$8,535 |

SPECIFICATIONS

| | |
|---------------------|---------------------------------------|
| Overall Dimensions | 36"W (914) x 84"H (2134) x 24"D (610) |
| Freezer Capacity | 20.0 cu ft (566 L) |
| Shipping Weight | 460 lbs (209 kg) |
| Annual Energy Usage | \$76 (631 kWh) |

FEATURES

- 3 adjustable wire shelves
- 3 storage drawers
- 5 adjustable door shelves
- Automatic ice maker
- Water filtration system

Accessories

Stainless Steel Door Panels

| DESCRIPTION | NUMBER | MSRP |
|--|---------|-------|
| 84" (2134) Fin Height – 4" (102) Toe Kick | | |
| Tubular Handle / RH | 7025366 | \$890 |
| Tubular Handle / LH | 7025367 | \$890 |
| Pro Handle / RH | 7025316 | \$890 |
| Pro Handle / LH | 7025317 | \$890 |
| 84" (2134) Fin Height – 6" (152) Toe Kick | | |
| Tubular Handle / RH | 7025368 | \$890 |
| Tubular Handle / LH | 7025369 | \$890 |
| Pro Handle / RH | 7025318 | \$890 |
| Pro Handle / LH | 7025319 | \$890 |

Dual Installation

| DESCRIPTION | NUMBER | MSRP |
|-------------------------------|---------|-------|
| Dual Installation Kits | | |
| Handle-to-Handle | 7023628 | \$245 |
| Handle-to-Hinge | 7029829 | \$245 |
| Hinge-to-Hinge | 7029830 | \$245 |
| Kickplates* | | |
| 54" (1372) Stainless Steel | 7026839 | \$55 |
| 60" (1524) Stainless Steel | 7026840 | \$65 |
| 66" (1676) Stainless Steel | 7026841 | \$75 |
| 72" (1829) Stainless Steel | 7026842 | \$75 |

*Will accommodate 4" (102) and 6" (152) toe kick heights.

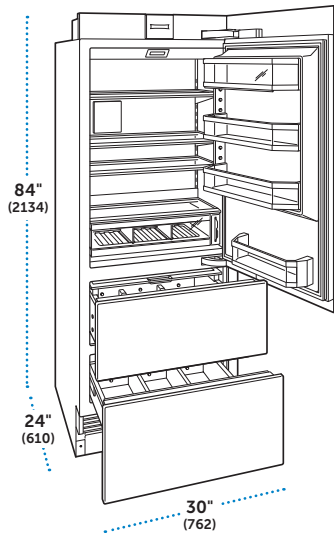
Miscellaneous

| DESCRIPTION | NUMBER | MSRP |
|----------------------------|---------|---------|
| Enclosure Panels | | |
| Stainless Steel Side (1)* | 7031340 | \$1,010 |
| Stainless Steel Top | 7031344 | \$510 |
| Reduced Toe Kick Divider** | 7029956 | \$45 |
| Water Filter | 4204490 | \$55 |

*Two side enclosures are required to install top enclosure.

**Required for toekicks from 3⁷/₈" (98) to 2" (51).

Designer Series Refrigeration



30" All Refrigerator – Tall

| MODEL | MSRP |
|----------|---------|
| IT-30R | \$8,445 |
| IT-30RID | \$8,820 |

SPECIFICATIONS

| | |
|-----------------------|---------------------------------------|
| Overall Dimensions | 30"W (762) x 84"H (2134) x 24"D (610) |
| Refrigerator Capacity | 16.5 cu ft (467 L) |
| Shipping Weight | 400 lbs (181 kg) |
| Annual Energy Usage | \$39 (324 kWh) |

FEATURES

- 3 adjustable glass shelves
- Deli drawer with dividers
- High humidity crisper drawer with sliding cover and dividers
- Refrigerator storage drawer with dividers
- 1 stationary and 2 adjustable door shelves
- Adjustable dairy compartment
- Air purification system
- Internal water dispenser (IT-30RID)
- Water filtration system (IT-30RID)

Accessories

Stainless Steel Door Panels

| DESCRIPTION | NUMBER | MSRP |
|-----------------------------------|---------|-------|
| 84" (2134) Finished Height | | |
| Tubular Handle / RH | 7023706 | \$675 |
| Tubular Handle / LH | 7023707 | \$675 |
| Pro Handle / RH | 7025312 | \$675 |
| Pro Handle / LH | 7025313 | \$675 |

Stainless Steel Drawer Panels (2-panel set)

| DESCRIPTION | NUMBER | MSRP |
|--------------------------|---------|-------|
| 4" (102) Toe Kick | | |
| Tubular Handle | 7023702 | \$565 |
| Pro Handle | 7025308 | \$565 |
| 6" (152) Toe Kick | | |
| Tubular Handle | 7023703 | \$565 |
| Pro Handle | 7025309 | \$565 |

Dual Installation

| DESCRIPTION | NUMBER | MSRP |
|-------------------------------|---------|-------|
| Dual Installation Kits | | |
| Handle-to-Handle | 7023628 | \$245 |
| Handle-to-Hinge | 7029829 | \$245 |
| Hinge-to-Hinge | 7029830 | \$245 |

Kickplates*

| | | |
|----------------------------|---------|------|
| 48" (1219) Stainless Steel | 7026838 | \$55 |
| 54" (1372) Stainless Steel | 7026839 | \$55 |
| 60" (1524) Stainless Steel | 7026840 | \$65 |
| 66" (1676) Stainless Steel | 7026841 | \$75 |

*Will accommodate 4" (102) and 6" (152) toe kick heights.

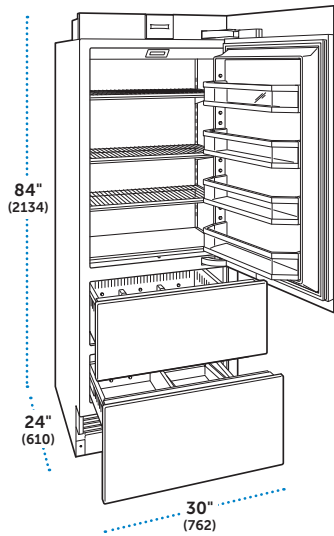
Miscellaneous

| DESCRIPTION | NUMBER | MSRP |
|----------------------------|---------|---------|
| Enclosure Panels | | |
| Stainless Steel Side (1)* | 7031340 | \$1,010 |
| Stainless Steel Top | 7031343 | \$460 |
| Mounting Kit | | |
| Drawer Panel Support | 7028082 | \$15 |
| Reduced Toe Kick Divider** | 7029956 | \$45 |
| Egg Container | 7007506 | \$30 |
| Water Filter | 4204490 | \$55 |
| Air Purification Cartridge | 7007067 | \$55 |

*Two side enclosures are required to install top enclosure.

**Required for toekicks from 3 7/8" (98) to 2" (51).

Designer Series Refrigeration



30" All Freezer – Tall

| MODEL | MSRP |
|---------|---------|
| IT-30FI | \$8,545 |

SPECIFICATIONS

| | |
|---------------------|---------------------------------------|
| Overall Dimensions | 30"W (762) x 84"H (2134) x 24"D (610) |
| Freezer Capacity | 15.1 cu ft (428 L) |
| Shipping Weight | 400 lbs (181 kg) |
| Annual Energy Usage | \$73 (606 kWh) |

FEATURES

- 3 adjustable wire shelves
- 2 freezer storage drawers with dividers
- 4 adjustable door shelves
- Automatic ice maker
- Water filtration system

Accessories

Stainless Steel Door Panels

| DESCRIPTION | NUMBER | MSRP |
|-----------------------------------|---------|-------|
| 84" (2134) Finished Height | | |
| Tubular Handle / RH | 7023706 | \$675 |
| Tubular Handle / LH | 7023707 | \$675 |
| Pro Handle / RH | 7025312 | \$675 |
| Pro Handle / LH | 7025313 | \$675 |

Stainless Steel Drawer Panels (2-panel set)

| DESCRIPTION | NUMBER | MSRP |
|--------------------------|---------|-------|
| 4" (102) Toe Kick | | |
| Tubular Handle | 7023702 | \$565 |
| Pro Handle | 7025308 | \$565 |
| 6" (152) Toe Kick | | |
| Tubular Handle | 7023703 | \$565 |
| Pro Handle | 7025309 | \$565 |

Dual Installation

| DESCRIPTION | NUMBER | MSRP |
|-------------------------------|---------|-------|
| Dual Installation Kits | | |
| Handle-to-Handle | 7023628 | \$245 |
| Handle-to-Hinge | 7029829 | \$245 |
| Hinge-to-Hinge | 7029830 | \$245 |
| Kickplates* | | |
| 48" (1219) Stainless Steel | 7026838 | \$55 |
| 54" (1372) Stainless Steel | 7026839 | \$55 |
| 60" (1524) Stainless Steel | 7026840 | \$65 |
| 66" (1676) Stainless Steel | 7026841 | \$75 |

*Will accommodate 4" (102) and 6" (152) toe kick heights.

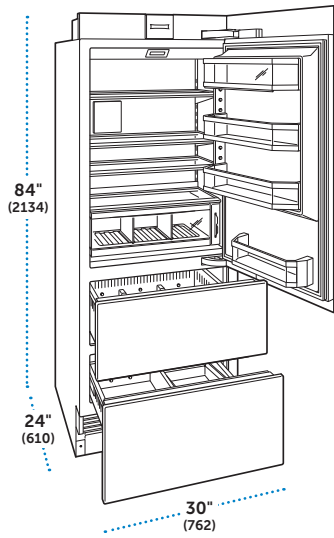
Miscellaneous

| DESCRIPTION | NUMBER | MSRP |
|----------------------------|---------|---------|
| Enclosure Panels | | |
| Stainless Steel Side (1)* | 7031340 | \$1,010 |
| Stainless Steel Top | 7031343 | \$460 |
| Mounting Kit | | |
| Drawer Panel Support | 7028082 | \$15 |
| Reduced Toe Kick Divider** | 7029956 | \$45 |
| Water Filter | 4204490 | \$55 |

*Two side enclosures are required to install top enclosure.

**Required for toekicks from 37/8" (98) to 2" (51).

Designer Series Refrigeration



30" Combination – Tall

| MODEL | MSRP |
|-----------|---------|
| IT-30CI | \$8,645 |
| IT-30CIID | \$9,020 |

SPECIFICATIONS

| | |
|-----------------------|---------------------------------------|
| Overall Dimensions | 30"W (762) x 84"H (2134) x 24"D (610) |
| Refrigerator Capacity | 10.6 cu ft (300 L) |
| Freezer Capacity | 5.0 cu ft (142 L) |
| Shipping Weight | 400 lbs (181 kg) |
| Annual Energy Usage | \$67 (551 kWh) |

FEATURES

Refrigerator

- 2 temperature zones
- 3 adjustable glass shelves
- High humidity crisper drawer with dividers
- 1 stationary and 2 adjustable door shelves
- Adjustable dairy compartment
- Air purification system
- Internal water dispenser (IT-30CIID)
- Water filtration system

Freezer

- 2 freezer storage drawers with dividers
- Automatic ice maker

Accessories

Stainless Steel Door Panels

| DESCRIPTION | NUMBER | MSRP |
|-----------------------------------|---------|-------|
| 84" (2134) Finished Height | | |
| Tubular Handle / RH | 7023706 | \$675 |
| Tubular Handle / LH | 7023707 | \$675 |
| Pro Handle / RH | 7025312 | \$675 |
| Pro Handle / LH | 7025313 | \$675 |

Stainless Steel Drawer Panels (2-panel set)

| DESCRIPTION | NUMBER | MSRP |
|--------------------------|---------|-------|
| 4" (102) Toe Kick | | |
| Tubular Handle | 7023702 | \$565 |
| Pro Handle | 7025308 | \$565 |
| 6" (152) Toe Kick | | |
| Tubular Handle | 7023703 | \$565 |
| Pro Handle | 7025309 | \$565 |

Dual Installation

| DESCRIPTION | NUMBER | MSRP |
|-------------------------------|---------|-------|
| Dual Installation Kits | | |
| Handle-to-Handle | 7023628 | \$245 |
| Handle-to-Hinge | 7029829 | \$245 |
| Hinge-to-Hinge | 7029830 | \$245 |
| Kickplates* | | |
| 48" (1219) Stainless Steel | 7026838 | \$55 |
| 54" (1372) Stainless Steel | 7026839 | \$55 |
| 60" (1524) Stainless Steel | 7026840 | \$65 |
| 66" (1676) Stainless Steel | 7026841 | \$75 |

*Will accommodate 4" (102) and 6" (152) toe kick heights.

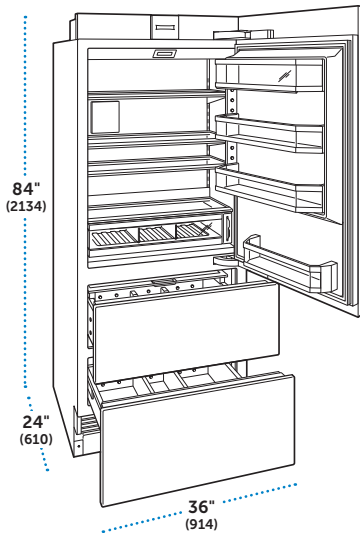
Miscellaneous

| DESCRIPTION | NUMBER | MSRP |
|----------------------------|---------|---------|
| Enclosure Panels | | |
| Stainless Steel Side (1)* | 7031340 | \$1,010 |
| Stainless Steel Top | 7031343 | \$460 |
| Mounting Kit | | |
| Drawer Panel Support | 7028082 | \$15 |
| Reduced Toe Kick Divider** | 7029956 | \$45 |
| Egg Container | 7007506 | \$30 |
| Water Filter | 4204490 | \$55 |
| Air Purification Cartridge | 7007067 | \$55 |

*Two side enclosures are required to install top enclosure.

**Required for toekicks from 3 7/8" (98) to 2" (51).

Designer Series Refrigeration



36" All Refrigerator – Tall

| MODEL | MSRP |
|----------|---------|
| IT-36R | \$8,875 |
| IT-36RID | \$9,250 |

SPECIFICATIONS

| | |
|-----------------------|---------------------------------------|
| Overall Dimensions | 36"W (914) x 84"H (2134) x 24"D (610) |
| Refrigerator Capacity | 20.5 cu ft (581 L) |
| Shipping Weight | 460 lbs (209 kg) |
| Annual Energy Usage | \$43 (353 kWh) |

FEATURES

- 3 adjustable glass shelves
- Deli drawer with dividers
- High humidity crisper drawer with sliding cover and dividers
- Refrigerator storage drawer with dividers
- 1 stationary and 2 adjustable door shelves
- Adjustable dairy compartment
- Air purification system
- Internal water dispenser (IT-36RID)
- Water filtration system (IT-36RID)

Accessories

Stainless Steel Door Panels

| DESCRIPTION | NUMBER | MSRP |
|-----------------------------------|---------|-------|
| 84" (2134) Finished Height | | |
| Tubular Handle / RH | 7023708 | \$755 |
| Tubular Handle / LH | 7023709 | \$755 |
| Pro Handle / RH | 7025314 | \$755 |
| Pro Handle / LH | 7025315 | \$755 |

Stainless Steel Drawer Panels (2-panel set)

| DESCRIPTION | NUMBER | MSRP |
|--------------------------|---------|-------|
| 4" (102) Toe Kick | | |
| Tubular Handle | 7023704 | \$595 |
| Pro Handle | 7025310 | \$595 |
| 6" (152) Toe Kick | | |
| Tubular Handle | 7023705 | \$595 |
| Pro Handle | 7025311 | \$595 |

Dual Installation

| DESCRIPTION | NUMBER | MSRP |
|-------------------------------|---------|-------|
| Dual Installation Kits | | |
| Handle-to-Handle | 7023628 | \$245 |
| Handle-to-Hinge | 7029829 | \$245 |
| Hinge-to-Hinge | 7029830 | \$245 |
| Kickplates* | | |
| 54" (1372) Stainless Steel | 7026839 | \$55 |
| 60" (1524) Stainless Steel | 7026840 | \$65 |
| 66" (1676) Stainless Steel | 7026841 | \$75 |
| 72" (1829) Stainless Steel | 7026842 | \$75 |

*Will accommodate 4" (102) and 6" (152) toe kick heights.

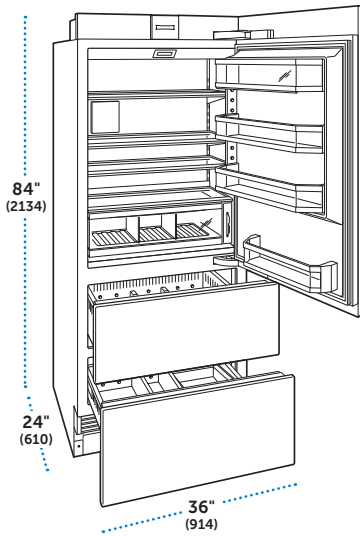
Miscellaneous

| DESCRIPTION | NUMBER | MSRP |
|----------------------------|---------|---------|
| Enclosure Panels | | |
| Stainless Steel Side (1)* | 7031340 | \$1,010 |
| Stainless Steel Top | 7031344 | \$510 |
| Mounting Kit | | |
| Drawer Panel Support | 7028082 | \$15 |
| Reduced Toe Kick Divider** | 7029956 | \$45 |
| Egg Container | 7007506 | \$30 |
| Water Filter | 4204490 | \$55 |
| Air Purification Cartridge | 7007067 | \$55 |

*Two side enclosures are required to install top enclosure.

**Required for toekicks from 3 7/8" (98) to 2" (51).

Designer Series Refrigeration



36" Combination – Tall

| MODEL | MSRP |
|-----------|---------|
| IT-36CI | \$9,075 |
| IT-36CIID | \$9,450 |

SPECIFICATIONS

| | |
|-----------------------|---------------------------------------|
| Overall Dimensions | 36"W (914) x 84"H (2134) x 24"D (610) |
| Refrigerator Capacity | 13.3 cu ft (377 L) |
| Freezer Capacity | 6.4 cu ft (181 L) |
| Shipping Weight | 460 lbs (209 kg) |
| Annual Energy Usage | \$72 (594 kWh) |

FEATURES

Refrigerator

- 2 temperature zones
- 3 adjustable glass shelves
- High humidity crisper drawer with dividers
- 1 stationary and 2 adjustable door shelves
- Adjustable dairy compartment
- Air purification system
- Internal water dispenser (IT-36CIID)
- Water filtration system

Freezer

- 2 freezer storage drawers with dividers
- Automatic ice maker

Accessories

Stainless Steel Door Panels

| DESCRIPTION | NUMBER | MSRP |
|-----------------------------------|---------|-------|
| 84" (2134) Finished Height | | |
| Tubular Handle / RH | 7023708 | \$755 |
| Tubular Handle / LH | 7023709 | \$755 |
| Pro Handle / RH | 7025314 | \$755 |
| Pro Handle / LH | 7025315 | \$755 |

Stainless Steel Drawer Panels (2-panel set)

| DESCRIPTION | NUMBER | MSRP |
|--------------------------|---------|-------|
| 4" (102) Toe Kick | | |
| Tubular Handle | 7023704 | \$595 |
| Pro Handle | 7025310 | \$595 |
| 6" (152) Toe Kick | | |
| Tubular Handle | 7023705 | \$595 |
| Pro Handle | 7025311 | \$595 |

Dual Installation

| DESCRIPTION | NUMBER | MSRP |
|-------------------------------|---------|-------|
| Dual Installation Kits | | |
| Handle-to-Handle | 7023628 | \$245 |
| Handle-to-Hinge | 7029829 | \$245 |
| Hinge-to-Hinge | 7029830 | \$245 |
| Kickplates* | | |
| 54" (1372) Stainless Steel | 7026839 | \$55 |
| 60" (1524) Stainless Steel | 7026840 | \$65 |
| 66" (1676) Stainless Steel | 7026841 | \$75 |
| 72" (1829) Stainless Steel | 7026842 | \$75 |

*Will accommodate 4" (102) and 6" (152) toe kick heights.

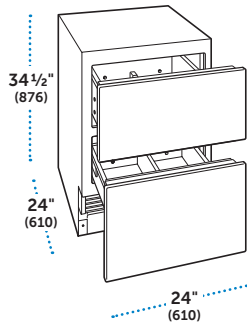
Miscellaneous

| DESCRIPTION | NUMBER | MSRP |
|----------------------------|---------|---------|
| Enclosure Panels | | |
| Stainless Steel Side (1)* | 7031340 | \$1,010 |
| Stainless Steel Top | 7031344 | \$510 |
| Mounting Kit | | |
| Drawer Panel Support | 7028082 | \$15 |
| Reduced Toe Kick Divider** | 7029956 | \$45 |
| Egg Container | 7007506 | \$30 |
| Water Filter | 4204490 | \$55 |
| Air Purification Cartridge | 7007067 | \$55 |

*Two side enclosures are required to install top enclosure.

**Required for toekicks from 3 7/8" (98) to 2" (51).

Designer Series Refrigeration



24" All Refrigerator – Drawers

| MODEL | MSRP |
|--------|---------|
| ID-24R | \$4,460 |

SPECIFICATIONS

| | |
|-----------------------|--|
| Overall Dimensions | 24"W (610) x 34 1/2"H (876) x 24"D (610) |
| Refrigerator Capacity | 4.0 cu ft (113 L) |
| Shipping Weight | 170 lbs (77 kg) |
| Annual Energy Usage | \$26 (213 kWh) |

FEATURES

- 2 refrigerator storage drawers with dividers

Accessories

Stainless Steel Drawer Panels (2-panel set)

| DESCRIPTION | NUMBER | MSRP |
|--------------------------|---------|-------|
| 4" (102) Toe Kick | | |
| Tubular Handle | 7025408 | \$515 |
| Pro Handle | 7025360 | \$515 |
| 6" (152) Toe Kick | | |
| Tubular Handle | 7025409 | \$515 |
| Pro Handle | 7025361 | \$515 |

Dual Installation

| DESCRIPTION | NUMBER | MSRP |
|----------------------------|---------|-------|
| Dual Installation Kit | 7024476 | \$165 |
| Kickplates* | | |
| 42" (1067) Stainless Steel | 7027399 | \$55 |
| 48" (1219) Stainless Steel | 7026838 | \$55 |
| 54" (1372) Stainless Steel | 7026839 | \$55 |
| 60" (1524) Stainless Steel | 7026840 | \$65 |

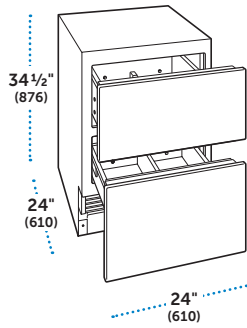
*Will accommodate 4" (102) and 6" (152) toe kick heights.

Miscellaneous

| DESCRIPTION | NUMBER | MSRP |
|---------------------------|---------|------|
| Reduced Toe Kick Divider* | 7029956 | \$45 |
| Egg Container | 7007506 | \$30 |

*Required for toekicks from 3 7/8" (98) to 2" (51).

Designer Series Refrigeration



24" Outdoor All Refrigerator – Drawers

| MODEL | MSRP |
|---------|---------|
| ID-24RO | \$4,785 |

SPECIFICATIONS

| | |
|-----------------------|--|
| Overall Dimensions | 24"W (610) x 34 1/2"H (876) x 24"D (610) |
| Refrigerator Capacity | 4.0 cu ft (113 L) |
| Shipping Weight | 170 lbs (77 kg) |
| Annual Energy Usage | \$26 (213 kWh) |

FEATURES

- 2 refrigerator storage drawers with dividers
- Suitable for outdoor use

Accessories

Outdoor Rated Stainless Steel Drawer Panels (2-panel set)

| DESCRIPTION | NUMBER | MSRP |
|----------------------------|---------|-------|
| 4" (102) Toe Kick | | |
| Pro Handle (with lock)* | 9011615 | \$865 |
| Pro Handle (without lock)* | 9011700 | \$800 |

*Required for outdoor installation.

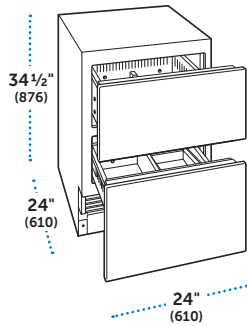
Dual Installation

| DESCRIPTION | NUMBER | MSRP |
|-----------------------|---------|-------|
| Dual Installation Kit | 7024476 | \$165 |

Miscellaneous

| DESCRIPTION | NUMBER | MSRP |
|---------------|---------|------|
| Egg Container | 7007506 | \$30 |

Designer Series Refrigeration



24" All Freezer – Drawers

| MODEL | MSRP |
|---------|---------|
| ID-24F | \$4,460 |
| ID-24FI | \$4,620 |

SPECIFICATIONS

| | |
|---------------------|--|
| Overall Dimensions | 24"W (610) x 34 1/2"H (876) x 24"D (610) |
| Freezer Capacity | 3.8 cu ft (109 L) |
| Shipping Weight | 170 lbs (77 kg) |
| Annual Energy Usage | \$45 (377 kWh) |

FEATURES

- 2 freezer storage drawers with dividers
- Automatic ice maker (ID-24FI)

Accessories

Stainless Steel Drawer Panels (2-panel set)

| DESCRIPTION | NUMBER | MSRP |
|--------------------------|---------|-------|
| 4" (102) Toe Kick | | |
| Tubular Handle | 7025408 | \$515 |
| Pro Handle | 7025360 | \$515 |
| 6" (152) Toe Kick | | |
| Tubular Handle | 7025409 | \$515 |
| Pro Handle | 7025361 | \$515 |

Dual Installation

| DESCRIPTION | NUMBER | MSRP |
|----------------------------|---------|-------|
| Dual Installation Kit | 7024476 | \$165 |
| Kickplates* | | |
| 42" (1067) Stainless Steel | 7027399 | \$55 |
| 48" (1219) Stainless Steel | 7026838 | \$55 |
| 54" (1372) Stainless Steel | 7026839 | \$55 |
| 60" (1524) Stainless Steel | 7026840 | \$65 |

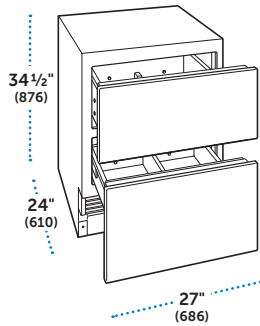
*Will accommodate 4" (102) and 6" (152) toe kick heights.

Miscellaneous

| DESCRIPTION | NUMBER | MSRP |
|---------------------------|---------|------|
| Reduced Toe Kick Divider* | 7029956 | \$45 |

*Required for toekicks from 3 7/8" (98) to 2" (51).

Designer Series Refrigeration



27" All Refrigerator – Drawers

| MODEL | MSRP |
|--------|---------|
| ID-27R | \$4,540 |

SPECIFICATIONS

| | |
|-----------------------|--|
| Overall Dimensions | 27"W (686) x 34 1/2"H (876) x 24"D (610) |
| Refrigerator Capacity | 4.6 cu ft (131 L) |
| Shipping Weight | 190 lbs (86 kg) |
| Annual Energy Usage | \$26 (217 kWh) |

FEATURES

- 2 refrigerator storage drawers with dividers

Accessories

Stainless Steel Drawer Panels (2-panel set)

| DESCRIPTION | NUMBER | MSRP |
|--------------------------|---------|-------|
| 4" (102) Toe Kick | | |
| Tubular Handle | 7025410 | \$540 |
| Pro Handle | 7025362 | \$540 |
| 6" (152) Toe Kick | | |
| Tubular Handle | 7025411 | \$540 |
| Pro Handle | 7025363 | \$540 |

Dual Installation

| DESCRIPTION | NUMBER | MSRP |
|----------------------------|---------|-------|
| Dual Installation Kit | 7024476 | \$165 |
| Kickplate* | | |
| 54" (1372) Stainless Steel | 7026839 | \$55 |

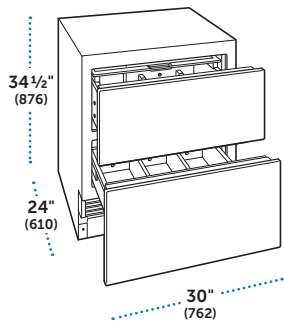
*Will accommodate 4" (102) and 6" (152) toe kick heights.

Miscellaneous

| DESCRIPTION | NUMBER | MSRP |
|---------------------------|---------|------|
| Reduced Toe Kick Divider* | 7029956 | \$45 |
| Egg Container | 7007506 | \$30 |

*Required for toekicks from 3 7/8" (98) to 2" (51).

Designer Series Refrigeration



30" All Refrigerator – Drawers

| MODEL | MSRP |
|--------|---------|
| ID-30R | \$4,620 |

SPECIFICATIONS

| | |
|-----------------------|--|
| Overall Dimensions | 30"W (762) x 34 1/2"H (876) x 24"D (610) |
| Refrigerator Capacity | 5.3 cu ft (151 L) |
| Shipping Weight | 210 lbs (95 kg) |
| Annual Energy Usage | \$27 (221 kWh) |

FEATURES

- 2 refrigerator storage drawers with dividers

Accessories

Stainless Steel Drawer Panels (2-panel set)

| DESCRIPTION | NUMBER | MSRP |
|--------------------------|---------|-------|
| 4" (102) Toe Kick | | |
| Tubular Handle | 7023702 | \$565 |
| Pro Handle | 7025308 | \$565 |
| 6" (152) Toe Kick | | |
| Tubular Handle | 7023703 | \$565 |
| Pro Handle | 7025309 | \$565 |

Dual Installation

| DESCRIPTION | NUMBER | MSRP |
|----------------------------|---------|-------|
| Dual Installation Kit | 7024476 | \$165 |
| Kickplates* | | |
| 48" (1219) Stainless Steel | 7026838 | \$55 |
| 54" (1372) Stainless Steel | 7026839 | \$55 |
| 60" (1524) Stainless Steel | 7026840 | \$65 |
| 66" (1676) Stainless Steel | 7026841 | \$75 |

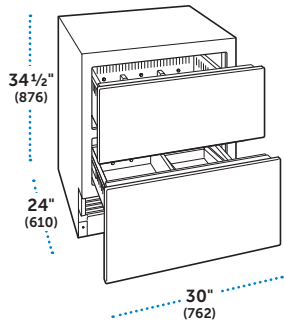
*Will accommodate 4" (102) and 6" (152) toe kick heights.

Miscellaneous

| DESCRIPTION | NUMBER | MSRP |
|---------------------------|---------|------|
| Mounting Kit | | |
| Drawer Panel Support | 7028082 | \$15 |
| Reduced Toe Kick Divider* | 7029956 | \$45 |
| Egg Container | 7007506 | \$30 |

*Required for toekicks from 3 7/8" (98) to 2" (51).

Designer Series Refrigeration



30" All Freezer – Drawers

| MODEL | MSRP |
|---------|---------|
| ID-30F | \$4,620 |
| ID-30FI | \$4,780 |

SPECIFICATIONS

| | |
|---------------------|--|
| Overall Dimensions | 30"W (762) x 34 1/2"H (876) x 24"D (610) |
| Freezer Capacity | 5.1 cu ft (145 L) |
| Shipping Weight | 210 lbs (95 kg) |
| Annual Energy Usage | |
| ID-30F | \$43 (356 kWh) |
| ID-30FI | \$48 (399 kWh) |

FEATURES

- 2 freezer storage drawers with dividers
- Automatic ice maker (ID-30FI)

Accessories

Stainless Steel Drawer Panels (2-panel set)

| DESCRIPTION | NUMBER | MSRP |
|--------------------------|---------|-------|
| 4" (102) Toe Kick | | |
| Tubular Handle | 7023702 | \$565 |
| Pro Handle | 7025308 | \$565 |
| 6" (152) Toe Kick | | |
| Tubular Handle | 7023703 | \$565 |
| Pro Handle | 7025309 | \$565 |

Dual Installation

| DESCRIPTION | NUMBER | MSRP |
|----------------------------|---------|-------|
| Dual Installation Kit | 7024476 | \$165 |
| Kickplates* | | |
| 48" (1219) Stainless Steel | 7026838 | \$55 |
| 54" (1372) Stainless Steel | 7026839 | \$55 |
| 60" (1524) Stainless Steel | 7026840 | \$65 |
| 66" (1676) Stainless Steel | 7026841 | \$75 |

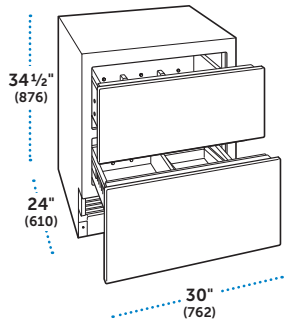
*Will accommodate 4" (102) and 6" (152) toe kick heights.

Miscellaneous

| DESCRIPTION | NUMBER | MSRP |
|---------------------------|---------|------|
| Mounting Kit | | |
| Drawer Panel Support | 7028082 | \$15 |
| Reduced Toe Kick Divider* | 7029956 | \$45 |

*Required for toekicks from 3 7/8" (98) to 2" (51).

Designer Series Refrigeration



30" Combination – Drawers

| MODEL | MSRP |
|---------|---------|
| ID-30C | \$4,895 |
| ID-30CI | \$5,055 |

SPECIFICATIONS

| | |
|-----------------------|--|
| Overall Dimensions | 30"W (762) x 34 1/2"H (876) x 24"D (610) |
| Refrigerator Capacity | 3.0 cu ft (86 L) |
| Freezer Capacity | 2.0 cu ft (56 L) |
| Shipping Weight | 210 lbs (95 kg) |
| Annual Energy Usage | |
| ID-30C | \$45 (374 kWh) |
| ID-30CI | \$55 (458 kWh) |

FEATURES

Refrigerator

- 2 temperature zones
- Refrigerator storage drawer with dividers

Freezer

- Freezer storage drawer with dividers
- Automatic ice maker (ID-30CI)

Accessories

Stainless Steel Drawer Panels (2-panel set)

| DESCRIPTION | NUMBER | MSRP |
|--------------------------|---------|-------|
| 4" (102) Toe Kick | | |
| Tubular Handle | 7023702 | \$565 |
| Pro Handle | 7025308 | \$565 |
| 6" (152) Toe Kick | | |
| Tubular Handle | 7023703 | \$565 |
| Pro Handle | 7025309 | \$565 |

Dual Installation

| DESCRIPTION | NUMBER | MSRP |
|----------------------------|---------|-------|
| Dual Installation Kit | 7024476 | \$165 |
| Kickplates* | | |
| 48" (1219) Stainless Steel | 7026838 | \$55 |
| 54" (1372) Stainless Steel | 7026839 | \$55 |
| 60" (1524) Stainless Steel | 7026840 | \$65 |
| 66" (1676) Stainless Steel | 7026841 | \$75 |

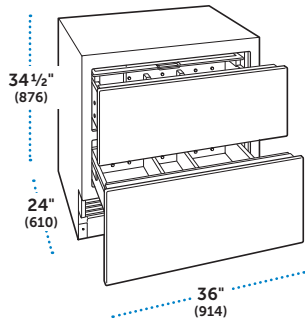
*Will accommodate 4" (102) and 6" (152) toe kick heights.

Miscellaneous

| DESCRIPTION | NUMBER | MSRP |
|---------------------------|---------|------|
| Mounting Kit | | |
| Drawer Panel Support | 7028082 | \$15 |
| Reduced Toe Kick Divider* | 7029956 | \$45 |
| Egg Container | 7007506 | \$30 |

*Required for toekicks from 3 7/8" (98) to 2" (51).

Designer Series Refrigeration



36" All Refrigerator – Drawers

| MODEL | MSRP |
|--------|---------|
| ID-36R | \$4,780 |

SPECIFICATIONS

| | |
|-----------------------|--|
| Overall Dimensions | 36"W (914) x 34 1/2"H (876) x 24"D (610) |
| Refrigerator Capacity | 6.6 cu ft (188 L) |
| Shipping Weight | 250 lbs (113 kg) |
| Annual Energy Usage | \$28 (230 kWh) |

FEATURES

- 2 refrigerator storage drawers with dividers

Accessories

Stainless Steel Drawer Panels (2-panel set)

| DESCRIPTION | NUMBER | MSRP |
|--------------------------|---------|-------|
| 4" (102) Toe Kick | | |
| Tubular Handle | 7023704 | \$595 |
| Pro Handle | 7025310 | \$595 |
| 6" (152) Toe Kick | | |
| Tubular Handle | 7023705 | \$595 |
| Pro Handle | 7025311 | \$595 |

Dual Installation

| DESCRIPTION | NUMBER | MSRP |
|----------------------------|---------|-------|
| Dual Installation Kit | 7024476 | \$165 |
| Kickplates* | | |
| 54" (1372) Stainless Steel | 7026839 | \$55 |
| 60" (1524) Stainless Steel | 7026840 | \$65 |
| 66" (1676) Stainless Steel | 7026841 | \$75 |
| 72" (1829) Stainless Steel | 7026842 | \$75 |

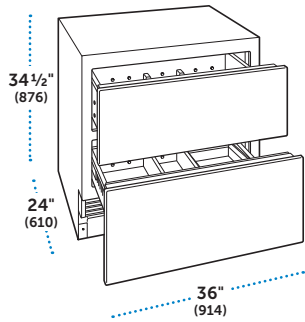
*Will accommodate 4" (102) and 6" (152) toe kick heights.

Miscellaneous

| DESCRIPTION | NUMBER | MSRP |
|---------------------------|---------|------|
| Mounting Kit | | |
| Drawer Panel Support | 7028082 | \$15 |
| Reduced Toe Kick Divider* | 7029956 | \$45 |
| Egg Container | 7007506 | \$30 |

*Required for toekicks from 3 7/8" (98) to 2" (51).

Designer Series Refrigeration



36" Combination – Drawers

| MODEL | MSRP |
|---------|---------|
| ID-36C | \$5,055 |
| ID-36CI | \$5,215 |

SPECIFICATIONS

| | |
|-----------------------|--|
| Overall Dimensions | 36"W (914) x 34 1/2"H (876) x 24"D (610) |
| Refrigerator Capacity | 3.8 cu ft (107 L) |
| Freezer Capacity | 2.5 cu ft (70 L) |
| Shipping Weight | 250 lbs (113 kg) |
| Annual Energy Usage | |
| ID-36C | \$52 (431 kWh) |
| ID-36CI | \$62 (515 kWh) |

FEATURES

Refrigerator

- 2 temperature zones
- Refrigerator storage drawer with dividers

Freezer

- Freezer storage drawer with dividers
- Automatic ice maker (ID-36CI)

Accessories

Stainless Steel Drawer Panels (2-panel set)

| DESCRIPTION | NUMBER | MSRP |
|--------------------------|---------|-------|
| 4" (102) Toe Kick | | |
| Tubular Handle | 7023704 | \$595 |
| Pro Handle | 7025310 | \$595 |
| 6" (152) Toe Kick | | |
| Tubular Handle | 7023705 | \$595 |
| Pro Handle | 7025311 | \$595 |

Dual Installation

| DESCRIPTION | NUMBER | MSRP |
|----------------------------|---------|-------|
| Dual Installation Kit | 7024476 | \$165 |
| Kickplates* | | |
| 54" (1372) Stainless Steel | 7026839 | \$55 |
| 60" (1524) Stainless Steel | 7026840 | \$65 |
| 66" (1676) Stainless Steel | 7026841 | \$75 |
| 72" (1829) Stainless Steel | 7026842 | \$75 |

*Will accommodate 4" (102) and 6" (152) toe kick heights.

Miscellaneous

| DESCRIPTION | NUMBER | MSRP |
|---------------------------|---------|------|
| Mounting Kit | | |
| Drawer Panel Support | 7028082 | \$15 |
| Reduced Toe Kick Divider* | 7029956 | \$45 |
| Egg Container | 7007506 | \$30 |

*Required for toekicks from 3 7/8" (98) to 2" (51).

Undercounter Refrigeration

Sub-Zero Designer Series Undercounter Refrigeration features a fully customizable exterior and comes in various functions and configurations—all conveniently sized—to fit wherever you need it most. Add comfort and convenience to your master suite. Create a stunning cocktail bar in your study. Seamlessly integrate a spot for delicate cosmetics. The options are truly endless.

- All models feature a panel ready design.
- Stainless steel accessory panels and handles to coordinate other Sub-Zero, Wolf, and Cove appliances.
- Models DEU2450RO and UC-15I(P)O are rated for outdoor use.
- Energy efficient; many models are ENERGY STAR® qualified.
- All refrigeration models are Star-K certified (excludes ice maker models).

MODEL NUMBER KEY

| | |
|--|-----|
| Designer Series Undercounter Refrigeration | DEU |
| Undercounter Ice Maker | UC |
| All Refrigerator | R |
| Beverage Center | B |
| Combination Refrigerator/Freezer | C |
| Ice Maker | I |
| Glass Door | G |
| High Altitude Glass Door | A |
| Outdoor Model | O |
| Drain Pump | P |
| Right-Hinge | /R |
| Left-Hinge | /L |

Specify right-hinge (/R) or left-hinge (/L) door when ordering, excludes ice maker.

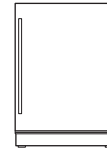
Annual energy usage is based on 12 cents per kilowatt hour (kWh).

Model DEU2450BA with high altitude glass door is available for installations above 5,000' (1524 m) in elevation.

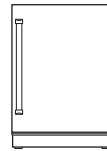
Undercounter Models



DEU2450BG



DEU2450R



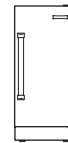
DEU2450RO



DEU2450CI

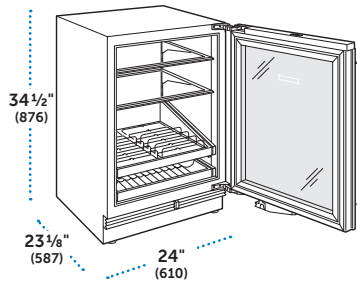


UC-15I(P)



UC-15I(P)O

Designer Series Undercounter Refrigeration



24" Beverage Center

| MODEL | MSRP |
|-----------|---------|
| DEU2450BG | \$2,700 |

SPECIFICATIONS

| | |
|-----------------------|--|
| Overall Dimensions | 24"W (610) x 34 1/2"H (876) x 23 1/8"D (587) |
| Refrigerator Capacity | 5.5 cu ft (157 L) |
| Shipping Weight | 146 lbs (66 kg) |
| Annual Energy Usage | \$29 (243 kWh) |

FEATURES

- 2 adjustable glass shelves
- All glass shelves feature a spill-proof, nano-coating
- Full-extension upright beverage shelf with adjustable gates
- Full-extension multipurpose shelf
- Full-view, UV-resistant glass door
- Adjustable LED accent light
- Espresso interior
- Door alarm
- High altitude glass available

Accessories

Stainless Steel Door Panels

| DESCRIPTION | NUMBER | MSRP |
|----------------------------|---------|-------|
| Tubular Handle / RH | 9029034 | \$330 |
| Tubular Handle / RH / Lock | 9029032 | \$365 |
| Tubular Handle / LH | 9029028 | \$330 |
| Tubular Handle / LH / Lock | 9029026 | \$365 |
| Pro Handle / RH | 9028545 | \$330 |
| Pro Handle / RH / Lock | 9028544 | \$365 |
| Pro Handle / LH | 9028514 | \$330 |
| Pro Handle / LH / Lock | 9028513 | \$365 |

Door panel kits include solid stainless steel kickplate, minimum installation height of 34" (864).

Dual Installation

| DESCRIPTION | NUMBER | MSRP |
|-----------------------------------|---------|-------|
| Dual Installation Kits | | |
| Two DEU Units* | 9028869 | \$105 |
| One DEU with One ID Unit** | 9035534 | \$105 |
| Stainless Steel Kickplates | | |
| 48" (1219) | 7042655 | \$150 |
| 48" (1219) Tall*** | 7042680 | \$150 |

*Use when dual installing two undercounter units. Handle to handle installation only.

**Use when dual installing undercounter unit with drawer unit. Handle to drawer installation only.

***Minimum installation height of 34.5" (876).

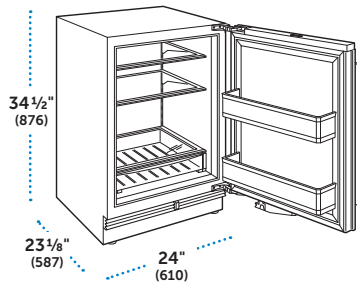
Miscellaneous

| DESCRIPTION | NUMBER | MSRP |
|----------------------------------|---------|-------|
| Stainless Steel Kickplate | | |
| 24" (610) Tall* | 7042677 | N/C |
| Custom Panel Lock Kit | 7042232 | \$100 |
| Solid Panel-Ready Door RH** | 7042312 | \$400 |
| Solid Panel-Ready Door LH** | 7042313 | \$400 |

*Minimum installation height of 34.5" (876).

**Installation requires authorized service.

Designer Series Undercounter Refrigeration



24" All Refrigerator

| MODEL | MSRP |
|----------|---------|
| DEU2450R | \$2,500 |

SPECIFICATIONS

| | |
|-----------------------|--|
| Overall Dimensions | 24"W (610) x 34 1/2"H (876) x 23 1/8"D (587) |
| Refrigerator Capacity | 5.4 cu ft (152 L) |
| Shipping Weight | 133 lbs (60 kg) |
| Annual Energy Usage | \$20 (168 kWh) |

FEATURES

- 2 adjustable glass shelves
- 1 fixed glass shelf
- All glass shelves feature a spill-proof, nano-coating
- Clear storage drawer
- 2 door shelves
- White interior
- Door alarm

Accessories

Stainless Steel Door Panels

| DESCRIPTION | NUMBER | MSRP |
|---------------------|---------|-------|
| Tubular Handle / RH | 9029035 | \$300 |
| Tubular Handle / LH | 9029029 | \$300 |
| Pro Handle / RH | 9029031 | \$300 |
| Pro Handle / LH | 9029025 | \$300 |

Door panel kits include solid stainless steel kickplate, minimum installation height of 34" (864).

Dual Installation

| DESCRIPTION | NUMBER | MSRP |
|-------------------------------|---------|-------|
| Dual Installation Kits | | |
| Two DEU Units* | 9028869 | \$105 |
| One DEU with One ID Unit** | 9035534 | \$105 |

Stainless Steel Kickplates

| | | |
|--------------------|---------|-------|
| 48" (1219) | 7042655 | \$150 |
| 48" (1219) Tall*** | 7042680 | \$150 |

*Use when dual installing two undercounter units. Handle to handle installation only.

**Use when dual installing undercounter unit with drawer unit. Handle to drawer installation only.

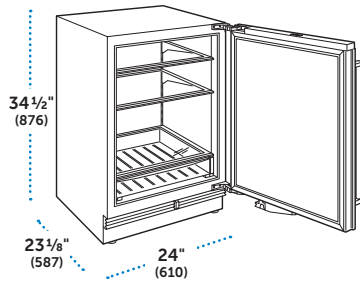
***Minimum installation height of 34.5" (876).

Miscellaneous

| DESCRIPTION | NUMBER | MSRP |
|----------------------------------|---------|-------|
| Stainless Steel Kickplate | | |
| 24" (610) Tall* | 7042677 | N/C |
| Custom Panel Lock Kit | 7042232 | \$100 |

*Minimum installation height of 34.5" (876).

Designer Series Undercounter Refrigeration



24" Outdoor All Refrigerator

| MODEL | MSRP |
|-----------|---------|
| DEU2450RO | \$3,300 |

SPECIFICATIONS

| | |
|-----------------------|--|
| Overall Dimensions | 24"W (610) x 34 1/2"H (876) x 23 1/8"D (587) |
| Refrigerator Capacity | 5.4 cu ft (151 L) |
| Shipping Weight | 153 lbs (69 kg) |
| Annual Energy Usage | \$20 (168 kWh) |

FEATURES

- 2 adjustable glass shelves
- 1 fixed glass shelf
- All glass shelves feature a spill-proof, nano-coating
- Clear storage drawer
- Stainless steel interior
- Door alarm

Accessories

Stainless Steel Door Panels

| DESCRIPTION | NUMBER | MSRP |
|------------------------|---------|-------|
| Outdoor Panels | | |
| Pro Handle / RH | 9028547 | \$375 |
| Pro Handle / RH / Lock | 9028546 | \$415 |
| Pro Handle / LH | 9028543 | \$375 |
| Pro Handle / LH / Lock | 9028515 | \$415 |
| Indoor Panels | | |
| Tubular Handle / RH | 9029035 | \$300 |
| Tubular Handle / LH | 9029029 | \$300 |
| Pro Handle / RH | 9029031 | \$300 |
| Pro Handle / LH | 9029025 | \$300 |

Door panel kits include solid stainless steel kickplate, minimum installation height of 34" (864).

Dual Installation

| DESCRIPTION | NUMBER | MSRP |
|------------------------------------|---------|-------|
| Dual Installation Kits | | |
| Two DEU Units* | 9028869 | \$105 |
| One DEU with One ID Unit** | 9035534 | \$105 |
| Stainless Steel Kickplates† | | |
| 48" (1219) | 7042655 | \$150 |
| 48" (1219) Tall*** | 7042680 | \$150 |

*Use when dual installing two undercounter units. Handle to handle installation only.

**Use when dual installing undercounter unit with drawer unit. Handle to drawer installation only.

***Minimum installation height of 34.5" (876).

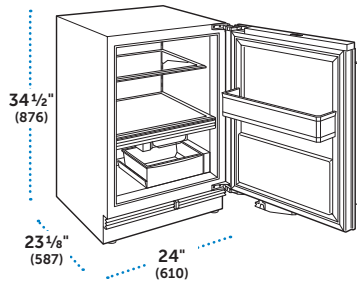
†Dual kickplates can be used for indoor and outdoor applications.

Miscellaneous

| DESCRIPTION | NUMBER | MSRP |
|----------------------------------|---------|------|
| Stainless Steel Kickplate | | |
| 24" (610) Tall* | 7042677 | N/C |

*Minimum installation height of 34.5" (876).

Designer Series Undercounter Refrigeration



24" Refrigerator/Freezer

| MODEL | MSRP |
|-----------|---------|
| DEU2450CI | \$2,900 |

SPECIFICATIONS

| | |
|-----------------------|--|
| Overall Dimensions | 24"W (610) x 34 1/2"H (876) x 23 1/8"D (587) |
| Refrigerator Capacity | 3.1 cu ft (87 L) |
| Freezer Capacity | 1.7 cu ft (48 L) |
| Shipping Weight | 134 lbs (61 kg) |
| Annual Energy Usage | \$49 (408 kWh) |

FEATURES

- 1 adjustable glass shelf
- 1 fixed shelf
- All glass shelves feature a spill-proof, nano-coating
- 1 door shelf
- Automatic ice maker
- Removable ice storage bin
- White interior
- Door alarm

Accessories

Stainless Steel Door Panels

| DESCRIPTION | NUMBER | MSRP |
|---------------------|---------|-------|
| Tubular Handle / RH | 9029035 | \$300 |
| Tubular Handle / LH | 9029029 | \$300 |
| Pro Handle / RH | 9029031 | \$300 |
| Pro Handle / LH | 9029025 | \$300 |

Door panel kits include solid stainless steel kickplate, minimum installation height of 34" (864).

Dual Installation

| DESCRIPTION | NUMBER | MSRP |
|-------------------------------|---------|-------|
| Dual Installation Kits | | |
| Two DEU Units* | 9028869 | \$105 |
| One DEU with One ID Unit** | 9035534 | \$105 |

Stainless Steel Kickplates

| | | |
|--------------------|---------|-------|
| 48" (1219) | 7042655 | \$150 |
| 48" (1219) Tall*** | 7042680 | \$150 |

*Use when dual installing two undercounter units. Handle to handle installation only.

**Use when dual installing undercounter unit with drawer unit. Handle to drawer installation only.

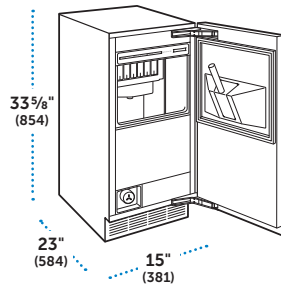
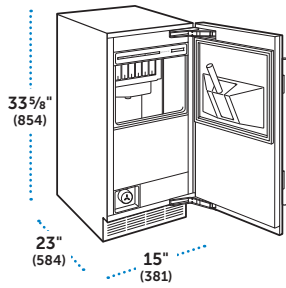
***Minimum installation height of 34.5" (876).

Miscellaneous

| DESCRIPTION | NUMBER | MSRP |
|----------------------------------|---------|-------|
| Stainless Steel Kickplate | | |
| 24" (610) Tall* | 7042677 | N/C |
| Custom Panel Lock Kit | 7042232 | \$100 |

*Minimum installation height of 34.5" (876).

Designer Series Undercounter Refrigeration



15" Ice Maker

| MODEL | MSRP |
|---------|---------|
| UC-15I | \$3,245 |
| UC-15IP | \$4,105 |

SPECIFICATIONS

| | |
|----------------------|--|
| Overall Dimensions | 15"W (381) x 33 5/8"H (854) x 23"D (584) |
| Ice Storage Capacity | 26 lbs (12 kg) |
| Shipping Weight | 117 lbs (53 kg) |

FEATURES

- Ice scoop
- Drain pump (UC-15IP)
- Water filtration system

15" Outdoor Ice Maker

| MODEL | MSRP |
|----------|---------|
| UC-15IO | \$3,570 |
| UC-15IPO | \$4,430 |

SPECIFICATIONS

| | |
|----------------------|--|
| Overall Dimensions | 15"W (381) x 33 5/8"H (854) x 23"D (584) |
| Ice Storage Capacity | 26 lbs (12 kg) |
| Shipping Weight | 117 lbs (53 kg) |

FEATURES

- Ice scoop
- Drain pump (UC-15IPO)
- Water filtration system

Accessories

| DESCRIPTION | NUMBER | MSRP |
|---|---------|-------|
| 15" (381) Stainless Steel Door Panel | | |
| Tubular Handle | 7030430 | \$395 |
| Pro Handle | 7030431 | \$395 |
| 18" (457) Stainless Steel Door Panel | | |
| Tubular Handle | 7030432 | \$405 |
| Pro Handle | 7030433 | \$405 |
| 3" (76) Stainless Steel Filler | 7012363 | \$85 |
| Stainless Steel Kickplate | 7013395 | \$45 |
| Cleaning Solution* | 7013400 | \$25 |
| Sanitizing Solution* | 7013401 | \$25 |
| Water Filter | 7012333 | \$65 |

*Must be purchased with ice maker.

Accessories

| DESCRIPTION | NUMBER | MSRP |
|---|---------|-------|
| 15" (381) Stainless Steel Door Panel | | |
| Pro Handle | 7030434 | \$395 |
| Stainless Steel Kickplate | 7013395 | \$45 |
| Cleaning Solution* | 7013400 | \$25 |
| Sanitizing Solution* | 7013401 | \$25 |
| Water Filter | 7012333 | \$65 |

*Must be purchased with ice maker.

Wine Storage

To preserve the integrity of every glass, Sub-Zero Wine Storage units are more than just coolers; they are built with advanced preservation technologies and protective features that guard against the harmful effects of heat, humidity, light, and vibration. Cherrywood-faced shelves, soft lighting, custom cabinetry if desired—Sub-Zero helps make a wine collection an element of beauty in the home.

- Framed, overlay, flush inset, stainless steel, and integrated design options complement Classic Series, Designer Series, and undercounter units for dual installation.
- Full-view glass door on all models.
- Discreet interior lighting with illuminated display shelf.
- Two independent storage zones maintain temperature, humidity, and UV protection.
- Cherrywood-faced shelves display the wine beautifully and accommodate 750 ml bottles, half-bottles, and magnums.

MODEL NUMBER KEY (UNDERCOUNTER MODEL)

| | |
|------------------------------|-----|
| Designer Series Undercounter | DEU |
| Wine Storage | W |
| High Altitude Glass Door | A |
| Right-Hinge | /R |
| Left-Hinge | /L |

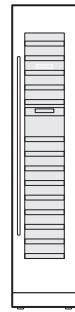
MODEL NUMBER KEY (FULL SIZE MODELS)

| | |
|--|-----|
| Classic Series Wine Storage | BW |
| Designer Series Wine Storage | IW |
| High Altitude Glass Door | A |
| Refrigerator Drawers | R |
| Combination Refrigerator/Freezer Drawers | C |
| Ice Maker | I |
| Overlay Model | /O |
| Stainless Steel Model | /S |
| Tubular Handle | /TH |
| Pro Handle | /PH |
| Right-Hinge | -RH |
| Left-Hinge | -LH |

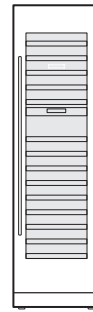
Wine Storage Models



DEU2450W



IW-18



IW-24



IW-30



IW-30R



IW-30CI



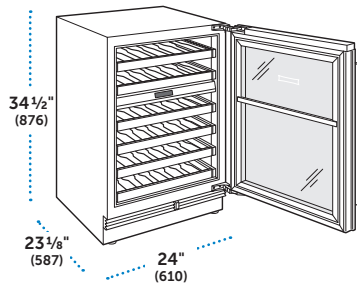
BW-30

Models are shown in the stainless steel design with tubular handles.

Specify right-hinge or left-hinge door when ordering (see model number keys above).

Overall dimensions for BW-30 are based on stainless steel models. Overall dimensions for Designer Series full size and undercounter models do not include panels or handles. Dimensions will vary with panel thickness.

A high altitude glass door is available for installations above 5,000' (1524 m) in elevation.



24" Undercounter Wine Storage

| MODEL | MSRP |
|----------|---------|
| DEU2450W | \$3,800 |

SPECIFICATIONS

| | |
|-----------------------|--|
| Overall Dimensions | 24"W (610) x 34½"H (876) x 23⅛"D (587) |
| Design | Undercounter |
| Wine Storage Capacity | 42 bottles (750 ml) |
| Shipping Weight | 176 lbs (80 kg) |

FEATURES

- 2 temperature zones
- 6 full-extension wine racks
- Full-view, UV-resistant glass door
- Adjustable LED accent light
- Espresso interior
- Door alarm
- High altitude glass available

Accessories

Dual Installation

| DESCRIPTION | NUMBER | MSRP |
|-----------------------------------|---------|-------|
| Dual Installation Kits | | |
| Two DEU Units* | 9028869 | \$105 |
| One DEU with One ID Unit** | 9035534 | \$105 |
| Stainless Steel Kickplates | | |
| 48" (1219) | 7042655 | \$150 |
| 48" (1219) Tall*** | 7042680 | \$150 |

*Use when dual installing two undercounter units. Handle to handle installation only.

**Use when dual installing undercounter unit with drawer unit. Handle to drawer installation only.

***Minimum installation height of 34.5" (876).

Accessories

Stainless Steel Door Panels

| DESCRIPTION | NUMBER | MSRP |
|----------------------------|---------|-------|
| Tubular Handle / RH | 9029034 | \$330 |
| Tubular Handle / RH / Lock | 9029032 | \$365 |
| Tubular Handle / LH | 9029028 | \$330 |
| Tubular Handle / LH / Lock | 9029026 | \$365 |
| Pro Handle / RH | 9028545 | \$330 |
| Pro Handle / RH / Lock | 9028544 | \$365 |
| Pro Handle / LH | 9028514 | \$330 |
| Pro Handle / LH / Lock | 9028513 | \$365 |

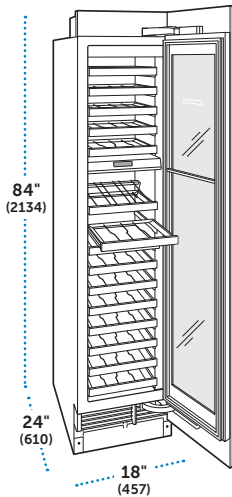
Door panel kits include solid stainless steel kickplate, minimum installation height of 34" (864).

Miscellaneous

| DESCRIPTION | NUMBER | MSRP |
|----------------------------------|---------|-------|
| Stainless Steel Kickplate | | |
| 24" (610) Tall* | 7042677 | N/C |
| Custom Panel Lock Kit | 7042232 | \$100 |
| Solid Panel-Ready Door RH** | 7042312 | \$400 |
| Solid Panel-Ready Door LH** | 7042313 | \$400 |

*Minimum installation height of 34.5" (876).

**Installation requires authorized service.



18" Wine Storage

| MODEL | MSRP |
|-------|---------|
| IW-18 | \$6,280 |

SPECIFICATIONS

| | |
|-----------------------|---------------------------------------|
| Overall Dimensions | 18"W (457) x 84"H (2134) x 24"D (610) |
| Design | Designer Series |
| Wine Storage Capacity | 59 bottles (750 ml) |
| Shipping Weight | 350 lbs (158 kg) |

FEATURES

- 2 temperature zones
- 5 upper and 10 lower compartment shelves
- Full-view, UV-resistant glass door
- Inventory tile system
- High altitude glass available

Accessories

Dual Installation

| DESCRIPTION | NUMBER | MSRP |
|-------------------------------|---------|-------|
| Dual Installation Kits | | |
| Handle-to-Handle | 7023628 | \$245 |
| Handle-to-Hinge | 7029829 | \$245 |
| Hinge-to-Hinge | 7029830 | \$245 |
| Kickplates* | | |
| 36" (914) Stainless Steel | 7026837 | \$55 |
| 42" (1067) Stainless Steel | 7027399 | \$55 |
| 48" (1219) Stainless Steel | 7026838 | \$55 |
| 54" (1372) Stainless Steel | 7026839 | \$55 |

*Will accommodate 4" (102) and 6" (152) toe kick heights.

Accessories

Stainless Steel Door Panels

| DESCRIPTION | NUMBER | MSRP |
|--|---------|-------|
| 84" (2134) Fin Height – 4" (102) Toe Kick | | |
| Tubular Handle / RH | 7025376 | \$640 |
| Tubular Handle / RH / Lock | 7025380 | \$745 |
| Tubular Handle / LH | 7025377 | \$640 |
| Tubular Handle / LH / Lock | 7025381 | \$745 |
| Pro Handle / RH | 7025328 | \$640 |
| Pro Handle / RH / Lock | 7025332 | \$745 |
| Pro Handle / LH | 7025329 | \$640 |
| Pro Handle / LH / Lock | 7025333 | \$745 |
| 84" (2134) Fin Height – 6" (152) Toe Kick | | |
| Tubular Handle / RH | 7025378 | \$640 |
| Tubular Handle / RH / Lock | 7025382 | \$745 |
| Tubular Handle / LH | 7025379 | \$640 |
| Tubular Handle / LH / Lock | 7025383 | \$745 |
| Pro Handle / RH | 7025330 | \$640 |
| Pro Handle / RH / Lock | 7025334 | \$745 |
| Pro Handle / LH | 7025331 | \$640 |
| Pro Handle / LH / Lock | 7025335 | \$745 |

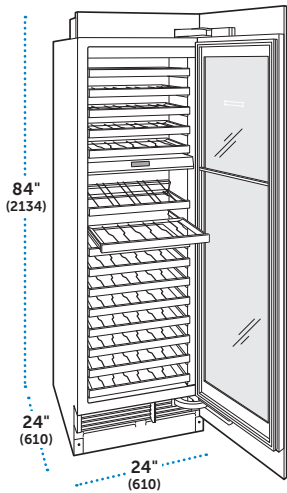
Miscellaneous

| DESCRIPTION | NUMBER | MSRP |
|---------------------------------|---------|---------|
| Enclosure Panels | | |
| Stainless Steel Top | 7031341 | \$390 |
| Stainless Steel Side (1)* | 7031340 | \$1,010 |
| Reduced Toe Kick Divider** | 7029956 | \$45 |
| Solid Panel-Ready Door RH*** | 7031923 | \$485 |
| Solid Panel-Ready Door LH*** | 7031924 | \$485 |
| Lock Kit | 7028773 | \$95 |
| Inventory Tiles (15) | 7031944 | \$30 |
| Inventory Tiles / Writable (15) | 7030331 | \$55 |
| Bulk Storage Drawer | 7028448 | \$485 |
| Dessert Wine Rack | 7028451 | \$380 |

*Two side enclosures are required to install top enclosure.

**Required for toekicks from 3⁷/₈" (98) to 2" (51).

***Installation may require authorized service.



24" Wine Storage

| MODEL | MSRP |
|-------|---------|
| IW-24 | \$6,710 |

SPECIFICATIONS

| | |
|-----------------------|---------------------------------------|
| Overall Dimensions | 24"W (610) x 84"H (2134) x 24"D (610) |
| Design | Designer Series |
| Wine Storage Capacity | 102 bottles (750 ml) |
| Shipping Weight | 410 lbs (185 kg) |

FEATURES

- 2 temperature zones
- 5 upper and 10 lower compartment shelves
- Full-view, UV-resistant glass door
- Inventory tile system
- High altitude glass available

Accessories

Dual Installation

| DESCRIPTION | NUMBER | MSRP |
|-------------------------------|---------|-------|
| Dual Installation Kits | | |
| Handle-to-Handle | 7023628 | \$245 |
| Handle-to-Hinge | 7029829 | \$245 |
| Hinge-to-Hinge | 7029830 | \$245 |
| Kickplates* | | |
| 42" (1067) Stainless Steel | 7027399 | \$55 |
| 48" (1219) Stainless Steel | 7026838 | \$55 |
| 54" (1372) Stainless Steel | 7026839 | \$55 |
| 60" (1524) Stainless Steel | 7026840 | \$65 |

*Will accommodate 4" (102) and 6" (152) toe kick heights.

Accessories

Stainless Steel Door Panels

| DESCRIPTION | NUMBER | MSRP |
|--|---------|-------|
| 84" (2134) Fin Height – 4" (102) Toe Kick | | |
| Tubular Handle / RH | 7025384 | \$755 |
| Tubular Handle / RH / Lock | 7025388 | \$855 |
| Tubular Handle / LH | 7025385 | \$755 |
| Tubular Handle / LH / Lock | 7025389 | \$855 |
| Pro Handle / RH | 7025336 | \$755 |
| Pro Handle / RH / Lock | 7025340 | \$855 |
| Pro Handle / LH | 7025337 | \$755 |
| Pro Handle / LH / Lock | 7025341 | \$855 |
| 84" (2134) Fin Height – 6" (152) Toe Kick | | |
| Tubular Handle / RH | 7025386 | \$755 |
| Tubular Handle / RH / Lock | 7025390 | \$855 |
| Tubular Handle / LH | 7025387 | \$755 |
| Tubular Handle / LH / Lock | 7025391 | \$855 |
| Pro Handle / RH | 7025338 | \$755 |
| Pro Handle / RH / Lock | 7025342 | \$855 |
| Pro Handle / LH | 7025339 | \$755 |
| Pro Handle / LH / Lock | 7025343 | \$855 |

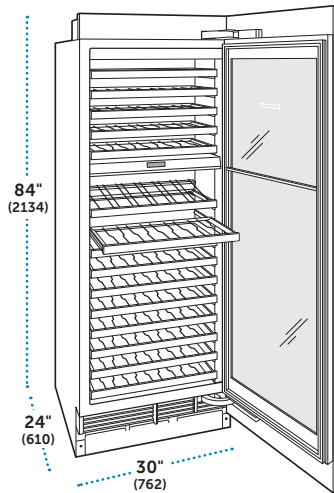
Miscellaneous

| DESCRIPTION | NUMBER | MSRP |
|---------------------------------|---------|---------|
| Enclosure Panels | | |
| Stainless Steel Top | 7031342 | \$430 |
| Stainless Steel Side (1)* | 7031340 | \$1,010 |
| Reduced Toe Kick Divider** | 7029956 | \$45 |
| Solid Panel-Ready Door RH*** | 7031925 | \$520 |
| Solid Panel-Ready Door LH*** | 7031926 | \$520 |
| Lock Kit | 7028773 | \$95 |
| Inventory Tiles (15) | 7031944 | \$30 |
| Inventory Tiles / Writable (15) | 7030331 | \$55 |
| Bulk Storage Drawer | 7028449 | \$565 |
| Dessert Wine Rack | 7028451 | \$380 |

*Two side enclosures are required to install top enclosure.

**Required for toekicks from 3⁷/₈" (98) to 2" (51).

***Installation may require authorized service.



30" Wine Storage

| MODEL | MSRP |
|-------|---------|
| IW-30 | \$7,790 |

SPECIFICATIONS

| | |
|-----------------------|---------------------------------------|
| Overall Dimensions | 30"W (762) x 84"H (2134) x 24"D (610) |
| Design | Designer Series |
| Wine Storage Capacity | 146 bottles (750 ml) |
| Shipping Weight | 460 lbs (208 kg) |

FEATURES

- 2 temperature zones
- 5 upper and 10 lower compartment shelves
- Full-view, UV-resistant glass door
- Inventory tile system
- High altitude glass available

Accessories

Dual Installation

| DESCRIPTION | NUMBER | MSRP |
|-------------------------------|---------|-------|
| Dual Installation Kits | | |
| Handle-to-Handle | 7023628 | \$245 |
| Handle-to-Hinge | 7029829 | \$245 |
| Hinge-to-Hinge | 7029830 | \$245 |
| Kickplates* | | |
| 48" (1219) Stainless Steel | 7026838 | \$55 |
| 54" (1372) Stainless Steel | 7026839 | \$55 |
| 60" (1524) Stainless Steel | 7026840 | \$65 |
| 66" (1676) Stainless Steel | 7026841 | \$75 |

*Will accommodate 4" (102) and 6" (152) toe kick heights.

Accessories

Stainless Steel Door Panels

| DESCRIPTION | NUMBER | MSRP |
|--|---------|-------|
| 84" (2134) Fin Height – 4" (102) Toe Kick | | |
| Tubular Handle / RH | 7025392 | \$860 |
| Tubular Handle / RH / Lock | 7025396 | \$960 |
| Tubular Handle / LH | 7025393 | \$860 |
| Tubular Handle / LH / Lock | 7025397 | \$960 |
| Pro Handle / RH | 7025344 | \$860 |
| Pro Handle / RH / Lock | 7025348 | \$960 |
| Pro Handle / LH | 7025345 | \$860 |
| Pro Handle / LH / Lock | 7025349 | \$960 |
| 84" (2134) Fin Height – 6" (152) Toe Kick | | |
| Tubular Handle / RH | 7025394 | \$860 |
| Tubular Handle / RH / Lock | 7025398 | \$960 |
| Tubular Handle / LH | 7025395 | \$860 |
| Tubular Handle / LH / Lock | 7025399 | \$960 |
| Pro Handle / RH | 7025346 | \$860 |
| Pro Handle / RH / Lock | 7025350 | \$960 |
| Pro Handle / LH | 7025347 | \$860 |
| Pro Handle / LH / Lock | 7025351 | \$960 |

Miscellaneous

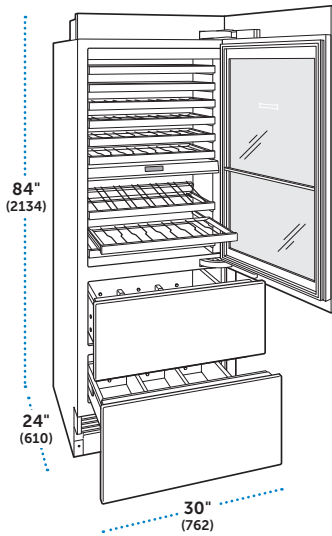
| DESCRIPTION | NUMBER | MSRP |
|---------------------------------|---------|---------|
| Enclosure Panels | | |
| Stainless Steel Top | 7031343 | \$460 |
| Stainless Steel Side (1)* | 7031340 | \$1,010 |
| Reduced Toe Kick Divider** | 7029956 | \$45 |
| Solid Panel-Ready Door RH*** | 7031927 | \$550 |
| Solid Panel-Ready Door LH*** | 7031928 | \$550 |
| Lock Kit | 7028773 | \$95 |
| Inventory Tiles (15) | 7031944 | \$30 |
| Inventory Tiles / Writable (15) | 7030331 | \$55 |
| Bulk Storage Drawer | 7028450 | \$700 |
| Dessert Wine Rack | 7028451 | \$380 |
| Cherrywood Humidor**** | 7040181 | \$885 |

*Two side enclosures are required to install top enclosure.

**Required for toekicks from 3⁷/₈" (98) to 2" (51).

***Installation may require authorized service.

****100+ capacity with humidity control.



30" Wine Storage with Refrigerator Drawers

| MODEL | MSRP |
|--------|---------|
| IW-30R | \$9,085 |

SPECIFICATIONS

| | |
|-----------------------|---------------------------------------|
| Overall Dimensions | 30"W (762) x 84"H (2134) x 24"D (610) |
| Design | Designer Series |
| Wine Storage Capacity | 86 bottles (750 ml) |
| Refrigerator Capacity | 5.2 cu ft (147 L) |
| Shipping Weight | 490 lbs (222 kg) |

FEATURES

- 3 temperature zones
- 6 upper and 3 lower compartment shelves
- Display shelf
- Full-view, UV-resistant glass door
- High altitude glass available
- 2 refrigerator drawers with dividers

Accessories

Stainless Steel Drawer Panels (2-panel set)

| DESCRIPTION | NUMBER | MSRP |
|--------------------------|---------|-------|
| 4" (102) Toe Kick | | |
| Tubular Handle | 7023702 | \$565 |
| Pro Handle | 7025308 | \$565 |
| 6" (152) Toe Kick | | |
| Tubular Handle | 7023703 | \$565 |
| Pro Handle | 7025309 | \$565 |

Accessories

Stainless Steel Door Panels

| DESCRIPTION | NUMBER | MSRP |
|-----------------------------------|---------|-------|
| 84" (2134) Finished Height | | |
| Tubular Handle / RH | 7025400 | \$755 |
| Tubular Handle / RH / Lock | 7025402 | \$855 |
| Tubular Handle / LH | 7025401 | \$755 |
| Tubular Handle / LH / Lock | 7025403 | \$855 |
| Pro Handle / RH | 7025352 | \$755 |
| Pro Handle / RH / Lock | 7025354 | \$855 |
| Pro Handle / LH | 7025353 | \$755 |
| Pro Handle / LH / Lock | 7025355 | \$855 |

Dual Installation

| DESCRIPTION | NUMBER | MSRP |
|-------------------------------|---------|-------|
| Dual Installation Kits | | |
| Handle-to-Handle | 7023628 | \$245 |
| Handle-to-Hinge | 7029829 | \$245 |
| Hinge-to-Hinge | 7029830 | \$245 |

Kickplates*

| | | |
|----------------------------|---------|------|
| 48" (1219) Stainless Steel | 7026838 | \$55 |
| 54" (1372) Stainless Steel | 7026839 | \$55 |
| 60" (1524) Stainless Steel | 7026840 | \$65 |
| 66" (1676) Stainless Steel | 7026841 | \$75 |

*Will accommodate 4" (102) and 6" (152) toe kick heights.

Miscellaneous

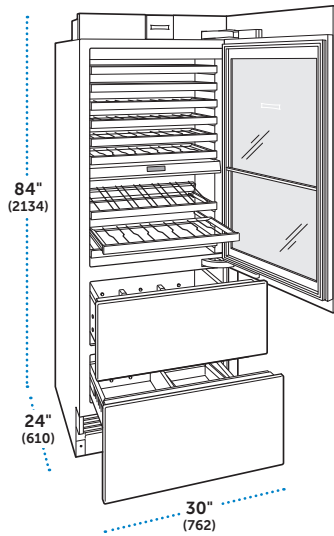
| DESCRIPTION | NUMBER | MSRP |
|---------------------------------|---------|---------|
| Enclosure Panels | | |
| Stainless Steel Top | 7031343 | \$460 |
| Stainless Steel Side (1)* | 7031340 | \$1,010 |
| Mounting Kit | | |
| Drawer Panel Support | 7028082 | \$15 |
| Reduced Toe Kick Divider** | 7029956 | \$45 |
| Solid Panel-Ready Door RH*** | 7031929 | \$480 |
| Solid Panel-Ready Door LH*** | 7031930 | \$480 |
| Lock Kit | 7028773 | \$95 |
| Inventory Tiles (15) | 7031944 | \$30 |
| Inventory Tiles / Writable (15) | 7030331 | \$55 |
| Bulk Storage Drawer | 7028450 | \$700 |
| Dessert Wine Rack | 7028451 | \$380 |
| Cherrywood Humidor**** | 7040181 | \$885 |

*Two side enclosures are required to install top enclosure.

**Required for toekicks from 3 7/8" (98) to 2" (51).

***Installation may require authorized service.

****100+ capacity with humidity control.



30" Wine Storage with Combination Drawers

| MODEL | MSRP |
|---------|---------|
| IW-30CI | \$9,245 |

SPECIFICATIONS

| | |
|-----------------------|---------------------------------------|
| Overall Dimensions | 30"W (762) x 84"H (2134) x 24"D (610) |
| Design | Designer Series |
| Wine Storage Capacity | 86 bottles (750 ml) |
| Refrigerator Capacity | 3.0 cu ft (85 L) |
| Freezer Capacity | 2.0 cu ft (57 L) |
| Shipping Weight | 495 lbs (225 kg) |

FEATURES

- 4 temperature zones
- 6 upper and 3 lower compartment shelves
- Display shelf
- Full-view, UV-resistant glass door
- High altitude glass available
- 1 refrigerator drawer with dividers
- 1 freezer drawer with dividers
- Automatic ice maker

Accessories

Stainless Steel Drawer Panels (2-panel set)

| DESCRIPTION | NUMBER | MSRP |
|--------------------------|---------|-------|
| 4" (102) Toe Kick | | |
| Tubular Handle | 7023702 | \$565 |
| Pro Handle | 7025308 | \$565 |
| 6" (152) Toe Kick | | |
| Tubular Handle | 7023703 | \$565 |
| Pro Handle | 7025309 | \$565 |

Accessories

Stainless Steel Door Panels

| DESCRIPTION | NUMBER | MSRP |
|-----------------------------------|---------|-------|
| 84" (2134) Finished Height | | |
| Tubular Handle / RH | 7025400 | \$755 |
| Tubular Handle / RH / Lock | 7025402 | \$855 |
| Tubular Handle / LH | 7025401 | \$755 |
| Tubular Handle / LH / Lock | 7025403 | \$855 |
| Pro Handle / RH | 7025352 | \$755 |
| Pro Handle / RH / Lock | 7025354 | \$855 |
| Pro Handle / LH | 7025353 | \$755 |
| Pro Handle / LH / Lock | 7025355 | \$855 |

Dual Installation

| DESCRIPTION | NUMBER | MSRP |
|-------------------------------|---------|-------|
| Dual Installation Kits | | |
| Handle-to-Handle | 7023628 | \$245 |
| Handle-to-Hinge | 7029829 | \$245 |
| Hinge-to-Hinge | 7029830 | \$245 |

Kickplates*

| | | |
|----------------------------|---------|------|
| 48" (1219) Stainless Steel | 7026838 | \$55 |
| 54" (1372) Stainless Steel | 7026839 | \$55 |
| 60" (1524) Stainless Steel | 7026840 | \$65 |
| 66" (1676) Stainless Steel | 7026841 | \$75 |

*Will accommodate 4" (102) and 6" (152) toe kick heights.

Miscellaneous

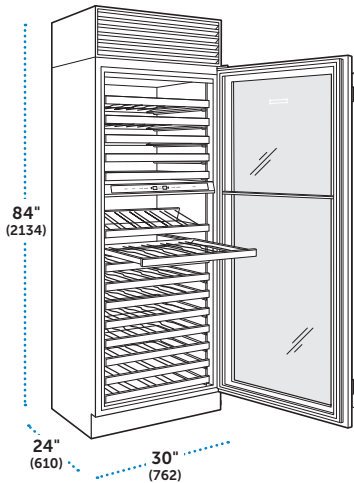
| DESCRIPTION | NUMBER | MSRP |
|---------------------------------|---------|---------|
| Enclosure Panels | | |
| Stainless Steel Top | 7031343 | \$460 |
| Stainless Steel Side (1)* | 7031340 | \$1,010 |
| Mounting Kit | | |
| Drawer Panel Support | 7028082 | \$15 |
| Reduced Toe Kick Divider** | 7029956 | \$45 |
| Solid Panel-Ready Door RH*** | 7031929 | \$480 |
| Solid Panel-Ready Door LH*** | 7031930 | \$480 |
| Lock Kit | 7028773 | \$95 |
| Inventory Tiles (15) | 7031944 | \$30 |
| Inventory Tiles / Writable (15) | 7030331 | \$55 |
| Bulk Storage Drawer | 7028450 | \$700 |
| Dessert Wine Rack | 7028451 | \$380 |
| Cherrywood Humidor**** | 7040181 | \$885 |
| Water Filter | 4204490 | \$55 |

*Two side enclosures are required to install top enclosure.

**Required for toekicks from 3 7/8" (98) to 2" (51).

***Installation may require authorized service.

****100+ capacity with humidity control.



30" Wine Storage

| MODEL | MSRP |
|------------|---------|
| BW-30/O* | \$7,885 |
| BW-30/S/TH | \$8,905 |
| BW-30/S/PH | \$8,905 |

*Flush inset and framed design options are achieved by specifying an overlay model. Overlay models include a grille frame that accepts a classic louvered, solid stainless, pro louvered or custom panel insert.

SPECIFICATIONS

| | |
|-----------------------|---------------------------------------|
| Overall Dimensions | 30"W (762) x 84"H (2134) x 24"D (610) |
| Design | Classic Series |
| Wine Storage Capacity | 146 bottles (750 ml) |
| Shipping Weight | 445 lbs (202 kg) |

FEATURES

- 2 temperature zones
- 5 upper and 9 lower compartment shelves
- Display shelf
- Full-view, UV-resistant glass door
- High altitude glass available
- 90° door stop

No solid door option available for this model.

Accessories

Grilles

| FINISHED HEIGHT | NUMBER | MSRP |
|-------------------------------|---------|-------|
| Framed | | |
| 83" (2108) Classic Louvered | 7003518 | \$355 |
| 88" (2235) Classic Louvered | 7003522 | \$460 |
| Overlay or Flush Inset | | |
| 83" (2108) Grille Frame | 7003530 | \$275 |
| 84" (2134) Grille Frame | 7007135 | \$245 |
| 88" (2235) Grille Frame | 7003534 | \$245 |
| Stainless Steel | | |
| 83" (2108) Pro Louvered | 7003542 | \$395 |
| 84" (2134) Pro Louvered | 7007131 | \$440 |
| 88" (2235) Pro Louvered | 7003546 | \$500 |

Framed Application

| DESCRIPTION | NUMBER | MSRP |
|--------------------------|---------|-------|
| Classic Louvered Insert* | 7014849 | \$155 |
| Handle (1) | | |
| Full-Length Standard | 7014887 | \$125 |
| Full-Length Extended | 7003462 | \$125 |

*Slides into overlay grille, 84" (2134) finished height.

Accessories

Single Flush Inset Panels – Stainless Steel

| DESCRIPTION | NUMBER | MSRP |
|-----------------------|---------|-------|
| Grille* | | |
| Solid SS Panel | 7008870 | \$215 |
| Pro Louvered | 7020157 | \$335 |
| Tubular Handle | | |
| Door Panel | 7029159 | \$915 |
| Pro Handle | | |
| Door Panel | 7010268 | \$915 |

*84" (2134) finished height.

Dual Flush Inset Panels – Stainless Steel

| DESCRIPTION | NUMBER | MSRP |
|---------------------------|---------|-------|
| Dual Wide Grille* | | |
| 60" (1524) Solid SS Panel | 7008882 | \$450 |
| 66" (1676) Solid SS Panel | 7013367 | \$480 |
| Tubular Handle | | |
| Door Panel | 7029160 | \$915 |
| Pro Handle | | |
| Door Panel | 7010274 | \$915 |

*84" (2134) finished height. Solid SS panel requires dual installation kit 7012623 or 7004811.

Dual Installation Kit with Dual Wide Grille

| DESCRIPTION | NUMBER | MSRP |
|------------------------------------|---------|---------|
| Framed | | |
| 60" (1524) Classic Louvered | 7004808 | \$1,140 |
| Overlay or Flush Inset | | |
| 60" (1524) Grille Frame | 7004810 | \$920 |
| 66" (1676) Grille Frame | 7012623 | \$945 |
| Stainless Steel Flush Inset | | |
| 60" (1524) Pro Louvered | 7020161 | \$1,080 |
| 66" (1676) Pro Louvered | 7020162 | \$1,105 |
| Stainless Steel | | |
| 60" (1524) Pro Louvered | 7004812 | \$1,220 |
| 66" (1676) Pro Louvered | 7012624 | \$1,245 |

For handle-to-handle installations only. Kit includes dual wide kickplate and dual wide grille for 84" (2134) finished height, center trim strip, heater and mounting hardware.

Dual Installation Kit

| DESCRIPTION | NUMBER | MSRP |
|-----------------------|---------|-------|
| All Designs | | |
| Dual Installation Kit | 7003411 | \$380 |

For handle-to-handle installations only. Kit includes center trim strip, heater and mounting hardware.

Miscellaneous

| DESCRIPTION | NUMBER | MSRP |
|---------------------------------|---------|-------|
| Mounting Kits | | |
| Custom Side Panel | 7003407 | \$115 |
| Side Panels | | |
| Stainless Steel (1) | 7003408 | \$785 |
| White Enamel (1) | 7003409 | \$540 |
| Kickplates | | |
| Stainless Steel RH | 7010358 | \$45 |
| Stainless Steel LH | 7010359 | \$45 |
| Lock Kit | 7011215 | \$220 |
| 90° Door Stop | 7005865 | N/C |
| Inventory Tiles (15) | 7031944 | \$30 |
| Inventory Tiles / Writable (15) | 7030331 | \$55 |
| Bulk Storage Drawer | 7040427 | \$805 |
| Dessert Wine Rack | 7040428 | \$325 |
| Cherrywood Humidor* | 7040426 | \$885 |

*100+ capacity with humidity control.

Accessory Handles

Stainless Steel Handles

Tubular Handles (Square Standoffs)

| DESCRIPTION | NUMBER | MSRP |
|---------------------------|---------|-------|
| 3/4" (19) Diameter | | |
| 21 1/4" (540) | 7025231 | \$165 |
| 24 3/16" (614) | 9036005 | \$160 |
| 24 3/4" (629) | 7029193 | \$165 |
| 27 1/4" (692) | 7025229 | \$165 |
| 33 1/4" (845) | 7025228 | \$165 |
| 50 1/8" (1273) | 7025227 | \$190 |
| 1" (25) Diameter | | |
| 24 5/16" (633) | 7029181 | \$165 |
| 30 5/16" (770) | 7029174 | \$165 |
| 36 5/16" (922) | 7030668 | \$165 |
| 44 1/4" (1124) | 7029168 | \$190 |
| 63 7/8" (1622) | 7029157 | \$190 |

Tubular Handles (Obround Standoffs)

| DESCRIPTION | NUMBER | MSRP |
|---------------------------|---------|-------|
| 3/4" (19) Diameter | | |
| 24 3/16" (614) | 7007246 | \$185 |
| 41 3/16" (1046) | 7007250 | \$205 |
| 1" (25) Diameter | | |
| 24 5/16" (633) | 7007247 | \$185 |
| 30 5/16" (770) | 7007248 | \$185 |
| 44 1/4" (1124) | 7007251 | \$195 |
| 63 7/8" (1622) | 7007253 | \$195 |

Pro Handles

| DESCRIPTION | NUMBER | MSRP |
|-----------------|---------|-------|
| 15 11/16" (399) | 7011075 | \$165 |
| 17 9/16" (446) | 7006854 | \$165 |
| 19 1/2" (495) | 7026119 | \$165 |
| 21" (533) | 7006853 | \$165 |
| 22 1/2" (572) | 9036003 | \$160 |
| 23 5/8" (600) | 7006855 | \$165 |
| 25 1/2" (648) | 7026117 | \$165 |
| 29 5/8" (753) | 7027250 | \$165 |
| 31 1/2" (800) | 7026116 | \$165 |
| 37 1/2" (953) | 7006858 | \$190 |
| 39 9/16" (1006) | 7006857 | \$190 |
| 45 3/16" (1148) | 7006860 | \$190 |
| 48 3/8" (1229) | 7026115 | \$190 |

Framed Full-Length Handles

| DESCRIPTION | NUMBER | MSRP |
|--|---------|-------|
| BI-36R, BI-36RG, BI-36F and BW-30 | | |
| Standard Handle | 7014887 | \$125 |
| Extended Handle | 7003462 | \$125 |
| BI-30U and BI-30UG | | |
| Standard 2-Handle Set | 7014888 | \$175 |
| Extended 2-Handle Set | 7003463 | \$205 |
| BI-36U(ID) and BI-36UG | | |
| Standard 2-Handle Set | 7014889 | \$175 |
| Extended 2-Handle Set | 7003464 | \$205 |
| BI-36UFD(ID) | | |
| Standard 3-Handle Set | 7023375 | \$235 |
| Extended 3-Handle Set | 7023376 | \$255 |
| BI-42UFD(ID) | | |
| Standard 3-Handle Set | 7027154 | \$255 |
| Extended 3-Handle Set | 7027155 | \$310 |
| Side-by-Side | | |
| Standard 2-Handle Set | 7014890 | \$175 |
| Extended 2-Handle Set | 7003465 | \$205 |

Stainless Steel Handles

Standard Handle Length

| MODEL | TUBULAR | PRO |
|-----------------------------|---|--|
| Classic Series | | |
| Full Door | 63 ⁷ / ₈ " (1622) | 45 ³ / ₁₆ " (1148) |
| Over-and-Under Door | 44 ¹ / ₄ " (1124) | 37 ¹ / ₂ " (952) |
| 42" Drawer | 36 ⁵ / ₁₆ " (922) | 29 ⁵ / ₈ " (753) |
| 36" Drawer | 30 ⁵ / ₁₆ " (770) | 23 ⁵ / ₈ " (600) |
| 30" Drawer | 24 ⁵ / ₁₆ " (633) | 17 ⁹ / ₁₆ " (447) |
| PRO Series | | |
| PRO4850, PRO3650 Door | N/A | 27 ¹¹ / ₁₆ " (703) |
| PRO4850 Refrigerator Drawer | N/A | 19 ¹⁵ / ₁₆ " (506) |
| PRO4850 Freezer Drawer | N/A | 11 ⁹ / ₁₆ " (294) |
| PRO3650 Drawer | N/A | 26 ⁵ / ₁₆ " (668) |
| Designer Series | | |
| Column Door | 50 ¹ / ₈ " (1273) | 48 ³ / ₈ " (1229) |
| Tall Door | 33 ¹ / ₄ " (845) | 31 ¹ / ₂ " (800) |
| 36" Drawer | 33 ¹ / ₄ " (845) | 31 ¹ / ₂ " (800) |
| 30" Drawer | 27 ¹ / ₄ " (692) | 25 ¹ / ₂ " (648) |
| 27" Drawer | 24 ¹ / ₄ " (616) | 22 ¹ / ₂ " (572) |
| 24" Drawer | 21 ¹ / ₄ " (540) | 19 ¹ / ₂ " (495) |
| Wine Storage | | |
| BW-30 Door | 63 ⁷ / ₈ " (1622) | 45 ³ / ₁₆ " (1147) |
| IW-18, IW-24, IW-30 Door | 50 ¹ / ₈ " (1273) | 48 ³ / ₈ " (1229) |
| IW-30R, IW-30CI Door | 33 ¹ / ₄ " (845) | 31 ¹ / ₂ " (800) |
| DEU2450W Door | 24 ³ / ₁₆ " (614) | 22 ¹ / ₂ " (572) |
| IW-30R, IW-30CI Drawer | 27 ¹ / ₄ " (692) | 22 ¹ / ₂ " (572) |
| Undercounter | | |
| Refrigeration | 24 ³ / ₁₆ " (614) | 22 ¹ / ₂ " (572) |
| Ice Maker | 24 ³ / ₄ " (629) | 15 ¹¹ / ₁₆ " (399) |

This page intentionally left blank

Sub-Zero Residential Limited Warranty

FOR RESIDENTIAL USE

FULL TWO YEAR WARRANTY*

For two years from the date of original installation, this Sub-Zero product warranty covers all parts and labor to repair or replace, under normal residential use, any part of the product that proves to be defective in materials or workmanship. All service provided by Sub-Zero under the above warranty must be performed by Sub-Zero Factory Certified Service, unless otherwise specified by Sub-Zero, Inc. Service will be provided during normal business hours.

FULL FIVE YEAR SEALED SYSTEM WARRANTY

For five years from the date of original installation, this Sub-Zero product warranty covers all parts and labor to repair or replace, under normal residential use, these parts that prove to be defective in materials or workmanship: compressor, condenser, evaporator, drier and all connecting tubing. All service provided by Sub-Zero under the above warranty must be performed by Sub-Zero Factory Certified Service, unless otherwise specified by Sub-Zero, Inc. Service will be provided during normal business hours.

LIMITED TWELVE YEAR SEALED SYSTEM WARRANTY

For twelve years from the date of original installation, Sub-Zero will repair or replace the following parts that prove to be defective in materials or workmanship: compressor, condenser, evaporator, drier and all connecting tubing. If the owner uses Sub-Zero Factory Certified Service, the service provider will repair or replace these parts with the owner paying for all other costs, including labor. If the owner uses non-certified service, the owner must contact Sub-Zero, Inc. (using the information below) to receive repaired or replacement parts. Sub-Zero will not reimburse the owner for parts purchased from non-certified service or other sources.

TERMS APPLICABLE TO EACH WARRANTY

The warranty applies only to products installed for normal residential use. The warranty applies only to products installed in any one of the fifty states of the United States, the District of Columbia or the ten provinces of Canada. This warranty does not cover any parts or labor to correct any defect caused by negligence, accident or improper use, maintenance, installation, service or repair.

THE REMEDIES DESCRIBED ABOVE FOR EACH WARRANTY ARE THE ONLY ONES THAT SUB-ZERO, INC. WILL PROVIDE, EITHER UNDER THIS WARRANTY OR UNDER ANY WARRANTY ARISING BY OPERATION OF LAW. SUB-ZERO, INC. WILL NOT BE RESPONSIBLE FOR ANY CONSEQUENTIAL OR INCIDENTAL DAMAGES ARISING FROM THE BREACH OF THIS WARRANTY OR ANY OTHER WARRANTY, WHETHER EXPRESS, IMPLIED OR STATUTORY.

Some states do not allow the exclusion or limitation of incidental or consequential damages, so the above limitation or exclusion may not apply to you. This warranty gives you specific legal rights and you may also have other legal rights that vary from state to state.

To receive parts and/or service and the name of Sub-Zero Factory Certified Service nearest you, contact Sub-Zero, Inc., P.O. Box 44848, Madison, WI 53744; check the Product Support section of our website, subzero.com, email us at customerservice@subzero.com, or call 800-222-7820.

*Stainless steel (doors, panels, handles, product frames and interior surfaces) are covered by a limited 60-day parts and labor warranty for cosmetic defects.

*Replacement water filters and air purification cartridges are not covered by the product warranty.



Sub-Zero Outdoor Limited Warranty*

FOR RESIDENTIAL USE

FULL ONE YEAR WARRANTY**

For one year from the date of original installation, this Sub-Zero product warranty covers all parts and labor to repair or replace, under normal residential use, any part of the product that proves to be defective in materials or workmanship. All service provided by Sub-Zero under the above warranty must be performed by Sub-Zero Factory Certified Service, unless otherwise specified by Sub-Zero, Inc. Service will be provided during normal business hours.

FULL FIVE YEAR SEALED SYSTEM WARRANTY

For five years from the date of original installation, this Sub-Zero product warranty covers all parts and labor to repair or replace, under normal residential use, these parts that prove to be defective in materials or workmanship: compressor, condenser, evaporator, drier and all connecting tubing. All service provided by Sub-Zero under the above warranty must be performed by Sub-Zero Factory Certified Service, unless otherwise specified by Sub-Zero, Inc. Service will be provided during normal business hours.

TERMS APPLICABLE TO EACH WARRANTY

The warranty applies only to products installed for normal residential use. The warranty applies only to products installed in any one of the fifty states of the United States, the District of Columbia or the ten provinces of Canada. This warranty does not cover any parts or labor to correct any defect caused by negligence, accident or improper use, maintenance, installation, service or repair.

THE REMEDIES DESCRIBED ABOVE FOR EACH WARRANTY ARE THE ONLY ONES THAT SUB-ZERO, INC. WILL PROVIDE, EITHER UNDER THIS WARRANTY OR UNDER ANY WARRANTY ARISING BY OPERATION OF LAW. SUB-ZERO, INC. WILL NOT BE RESPONSIBLE FOR ANY CONSEQUENTIAL OR INCIDENTAL DAMAGES ARISING FROM THE BREACH OF THIS WARRANTY OR ANY OTHER WARRANTY, WHETHER EXPRESS, IMPLIED OR STATUTORY.

Some states do not allow the exclusion or limitation of incidental or consequential damages, so the above limitation or exclusion may not apply to you. This warranty gives you specific legal rights and you may also have other legal rights that vary from state to state.

To receive parts and/or service and the name of Sub-Zero Factory Certified Service nearest you, contact Sub-Zero, Inc., P.O. Box 44848, Madison, WI 53744; check the Product Support section of our website, subzero.com, email us at customerservice@subzero.com, or call 800-222-7820.

*Product must be approved for outdoor use, designated by model and serial number.

**Stainless steel (doors, panels, handles, product frames and interior surfaces) are covered by a limited 60-day parts and labor warranty for cosmetic defects.

**Replacement water filters are not covered by the product warranty.



Sub-Zero Display Products Limited Warranty*

FOR RESIDENTIAL USE

FULL ONE YEAR WARRANTY**

For one year from the date of original installation, this Sub-Zero product warranty covers all parts and labor to repair or replace, under normal residential use, any part of the product that proves to be defective in materials or workmanship. All service provided by Sub-Zero under the above warranty must be performed by Sub-Zero Factory Certified Service, unless otherwise specified by Sub-Zero, Inc. Service will be provided during normal business hours.

LIMITED FIVE YEAR SEALED SYSTEM WARRANTY

For five years from the date of original installation, Sub-Zero will repair or replace the following parts that prove to be defective in materials or workmanship: compressor, condenser, evaporator, drier and all connecting tubing. If the owner uses Sub-Zero Factory Certified Service, the service provider will repair or replace these parts with the owner paying for all other costs, including labor. If the owner uses non-certified service, the owner must contact Sub-Zero, Inc. (using the information below) to receive repaired or replacement parts. Sub-Zero will not reimburse the owner for parts purchased from non-certified service or other sources.

TERMS APPLICABLE TO EACH WARRANTY

The warranty applies only to products installed for normal residential use. The warranty applies only to products installed in any one of the fifty states of the United States, the District of Columbia or the ten provinces of Canada. This warranty does not cover any parts or labor to correct any defect caused by negligence, accident or improper use, maintenance, installation, service or repair.

THE REMEDIES DESCRIBED ABOVE FOR EACH WARRANTY ARE THE ONLY ONES THAT SUB-ZERO, INC. WILL PROVIDE, EITHER UNDER THIS WARRANTY OR UNDER ANY WARRANTY ARISING BY OPERATION OF LAW. SUB-ZERO, INC. WILL NOT BE RESPONSIBLE FOR ANY CONSEQUENTIAL OR INCIDENTAL DAMAGES ARISING FROM THE BREACH OF THIS WARRANTY OR ANY OTHER WARRANTY, WHETHER EXPRESS, IMPLIED OR STATUTORY.

Some states do not allow the exclusion or limitation of incidental or consequential damages, so the above limitation or exclusion may not apply to you. This warranty gives you specific legal rights and you may also have other legal rights that vary from state to state.

To receive parts and/or service and the name of Sub-Zero Factory Certified Service nearest you, contact Sub-Zero, Inc., P.O. Box 44848, Madison, WI 53744; check the Product Support section of our website, subzero.com, email us at customerservice@subzero.com, or call 800-222-7820.

*Display products sold more than three years from date of manufacture.

**Stainless steel (doors, panels, handles, product frames and interior surfaces) are covered by a limited 60-day parts and labor warranty for cosmetic defects.

**Replacement water filters and air purification cartridges are not covered by the product warranty.



Sub-Zero Non-Residential Limited Warranty

FOR NON-RESIDENTIAL USE

FULL ONE YEAR WARRANTY*

For one year from the date of original installation, this Sub-Zero product warranty covers all parts and labor to repair or replace, under normal use, any part of the product that proves to be defective in materials or workmanship. All service provided by Sub-Zero under the above warranty must be performed by Sub-Zero Factory Certified Service, unless otherwise specified by Sub-Zero, Inc. Service will be provided during normal business hours.

LIMITED FIVE YEAR SEALED SYSTEM WARRANTY

For five years from the date of original installation, Sub-Zero will repair or replace the following parts that prove to be defective in materials or workmanship: compressor, condenser, evaporator, drier and all connecting tubing. If the owner uses Sub-Zero Factory Certified Service, the service provider will repair or replace these parts with the owner paying for all other costs, including labor. If the owner uses non-certified service, the owner must contact Sub-Zero, Inc. (using the information below) to receive repaired or replacement parts. Sub-Zero will not reimburse the owner for parts purchased from non-certified service or other sources.

TERMS APPLICABLE TO EACH WARRANTY

The warranty applies only to products installed for normal use. The warranty applies only to products installed in any one of the fifty states of the United States, the District of Columbia or the ten provinces of Canada. This warranty does not cover any parts or labor to correct any defect caused by negligence, accident or improper use, maintenance, installation, service or repair.

THE REMEDIES DESCRIBED ABOVE FOR EACH WARRANTY ARE THE ONLY ONES THAT SUB-ZERO, INC. WILL PROVIDE, EITHER UNDER THIS WARRANTY OR UNDER ANY WARRANTY ARISING BY OPERATION OF LAW. SUB-ZERO, INC. WILL NOT BE RESPONSIBLE FOR ANY CONSEQUENTIAL OR INCIDENTAL DAMAGES ARISING FROM THE BREACH OF THIS WARRANTY OR ANY OTHER WARRANTY, WHETHER EXPRESS, IMPLIED OR STATUTORY.

Some states do not allow the exclusion or limitation of incidental or consequential damages, so the above limitation or exclusion may not apply to you. This warranty gives you specific legal rights and you may also have other legal rights that vary from state to state.

To receive parts and/or service and the name of Sub-Zero Factory Certified Service nearest you, contact Sub-Zero, Inc., P.O. Box 44848, Madison, WI 53744; check the Product Support section of our website, subzero.com, email us at customerservice@subzero.com, or call 800-222-7820.

*Stainless steel (doors, panels, handles, product frames and interior surfaces) are covered by a limited 60-day parts and labor warranty for cosmetic defects.

*Replacement water filters and air purification cartridges are not covered by the product warranty.



20



21



SUB-ZERO, INC. • P.O. BOX 44130 MADISON, WI 53744 • SUBZERO.COM • 800-222-7820