



Pro Hood Filter Spring Replacement

wolfappliance.com 800.222.7820

CONTENTS

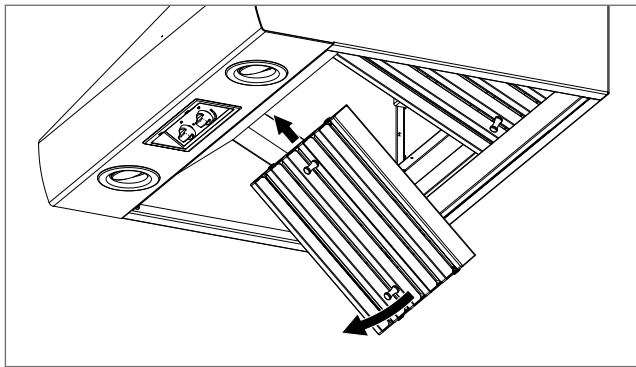
- 1 Filter spring

TOOLS REQUIRED

Phillips screwdriver

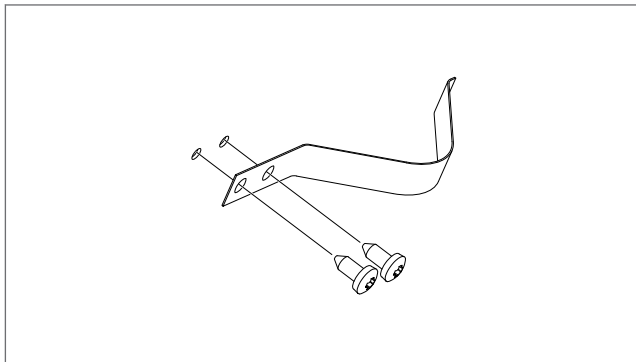
REMOVE THE FILTER ASSEMBLY

- 1 Hold the filter assembly by the knobs.
- 2 Push the filter assembly upward, compressing the filter assembly against the spring in the hood's upper channel.
- 3 Rotate the bottom of the filter assembly forward.
- 4 Pull the filter assembly down to remove it from the unit.



REMOVE THE FILTER SPRING

- 1 Use a Phillips screwdriver to remove the two screws.
- 2 Remove the filter spring from the unit.



INSTALL THE FILTER SPRING

- 1 Place the filter spring over the screw holes in the mounting surface.
- 2 Use a Phillips screwdriver to install the two screws.

INSTALL THE FILTER ASSEMBLY

- 1 Place the filter assembly into the hood's upper channel.
- 2 Push the filter assembly upward, compressing the filter assembly against the spring in the channel.
- 3 Rotate the bottom of the filter assembly backward into the hood's lower channel.
- 4 With the filter assembly over the lower channel, release the filter assembly so that it rests over the grease tray.

