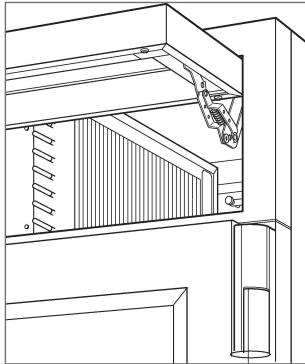


CONTENTS

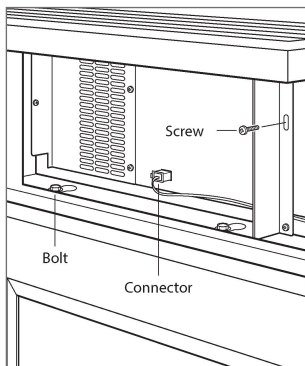
1	Grommet, plastic
1	Assembly, heater
1	Bracket, upper
1	Bracket, lower
2	Screw, #8 x 5/8"
2	Screw, #10 x 1/2"
1	Wire, jumper
2	Tape

PRO REFRIGERATION DUAL INSTALLATION

- 1 Rotate the bottom of the grille upward.

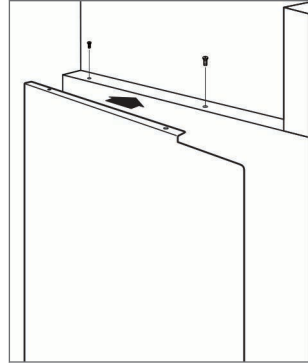


- 2 Disconnect the network cable connector.
- 3 Remove the screw from the vertical support and loosen the three bolts at the bottom of the grille assembly.

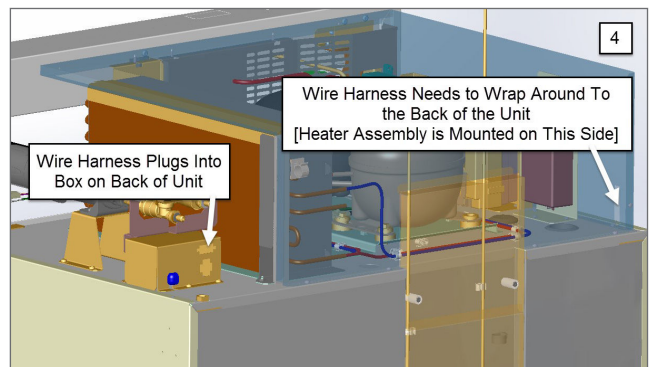


- 4 Shift the grille assembly forward and remove the assembly.
- 5 Insert a plastic grommet in the front square hole along the top edge of the unit, then tap into position.
- 6 Place the heater panel on the left side of the right unit.

- 7 Install two 5/8" screws along the top edge of the heater panel.



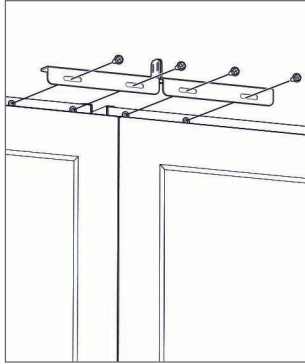
- 8 Install tape to the front edge of the heater.
- 9 Connect the jumper wire to the top of the heater assembly.
- 10 Route the jumper wire behind the unit shroud.
- 11 Remove the unused pin connector above the power supply and insert the harness into the connector on the power supply box.



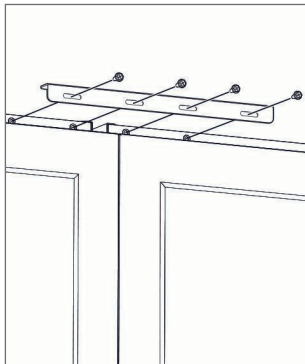
- 12 Remove the paper backing from the plastic clips and secure the jumper wire to the unit.
- 13 Install the unit into the right side of the opening, then install the other unit into the left side of the opening.



- 14 Remove two screws from each handle-side mounting bracket and remove the brackets.



- 15 Use the existing screws to secure the new upper mounting bracket.



- 16 Partially insert one $\frac{1}{2}$ " screw into the bottom of each unit.

- 17 Place the lower mounting bracket over the two screws, then tighten the screws.

