

OVEN DOOR COMPONENTS:

Oven Door Removal

First, open the door to its fully opened position. Next, extract the screw and remove the plate from each side of the door hinges. Now, install the pin (*this pin is initially shipped with the unit and taped to the inside of the oven door*) through the hole in the left hinge arm. (See figure 4-36).

⚠ CAUTION
 If the pin device is too long, it will rub against the inner door liner and chip the porcelain.

Lift the oven door to about a 60 degree angle from the horizontal. Now, pull the door away from the oven while continuing to lift and remove.

To reinstall oven door(s), grasp the oven door on opposite sides and lift the door until the hinges are aligned with the openings in the oven frame. Hold the door at about a 30 degree angle from the vertical. Slide the hinges into the openings until the bottom hinge arms drop fully into the hinge receptacles. Lower the door to the fully opened position and remove the pin from the left hinge arm. Open and close the door completely to ensure it is properly installed.

Door Adjustments

To adjust doors for height. Loosen the screws on the hinge pocket. Now, raise or lower the oven door to the desired height. Next, retighten the hinge pocket screws. Do this procedure for each side of the oven door until the desired height is obtained.

Door Gasket Removal

First, open the oven door. Now, locate the small clips attached to the underside of the gasket and gently pull the clips from the mounting holes. Next, pull the ends of the gasket out from the bottom of the door liner and remove. (See Figure 3-37).

NOTE: On units starting with serial #16000000 the gasket will be mounted to the front collar of the cavity. Removal procedure is the same. (See Figure 3-37A).

Outer Door Skin Assembly Removal

First, remove the oven door assembly and lay on front. Extract the two screws on the inside top of the door liner. Next, extract the three screws at the bottom of the outer door skin. Then, remove the outer door skin with handle and lay on front. Now, extract the four screws from the door handle assembly and remove. Remove the heat shield and insulation from the outer door skin. (See Figure 4-38).

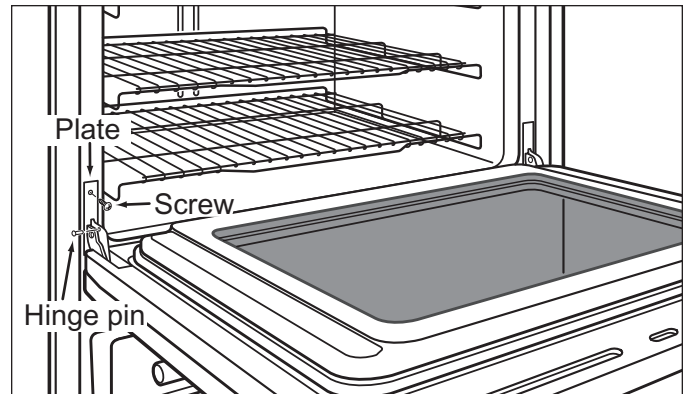


Figure 4-36. Hinge Pin Installation.

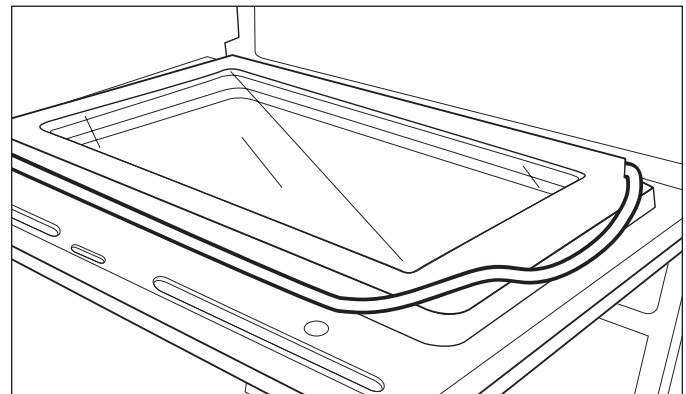


Figure 4-37. Door Gasket Removal.

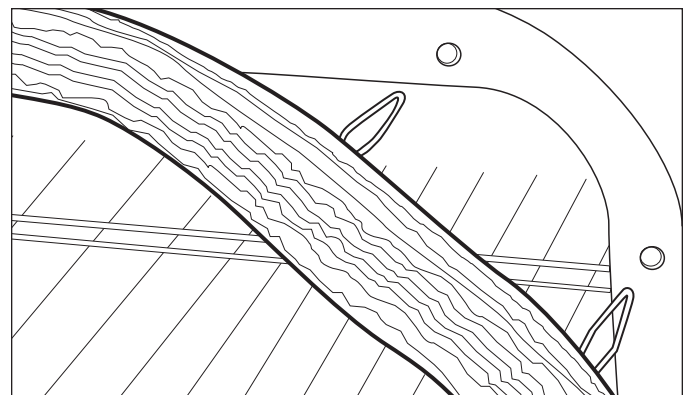


Figure 4-37A. Door Gasket Removal.

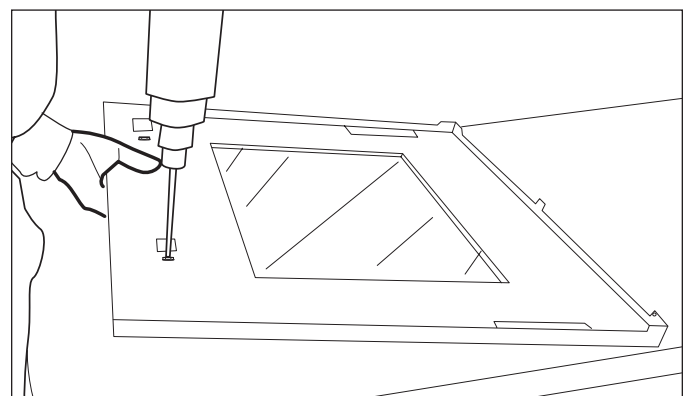


Figure 4-38. Outer Door Skin Removal.