



#815689 Grate Pad Replacement Package

<u>CONTAINS:</u>	<u>QTY</u>	<u>DESCRIPTION</u>
	4	Pad, Grate, Cooktop
	1	Adhesive, Rtv Silicone - 0.5oz
	1	Instructions

PROCEDURE:

1. Remove any pieces of the old pad from the grate.
2. Apply an amount of adhesive approximating the size of a pea in the indentation of the grate (See Figure 1).
3. Press the new pad firmly into the grate (See Figure 2).
4. Wipe off any excess adhesive that may have seeped out when the new pad was inserted.
5. Repeat steps above for each corner (if applicable).
6. Allow adhesive to cure for 24 hours before use.

NOTE: *It is recommended that the grate remain inverted while the adhesive cures to avoid any possible adhesive leakage onto other surfaces.*

7. After 24 hours, place grate back in place on unit.

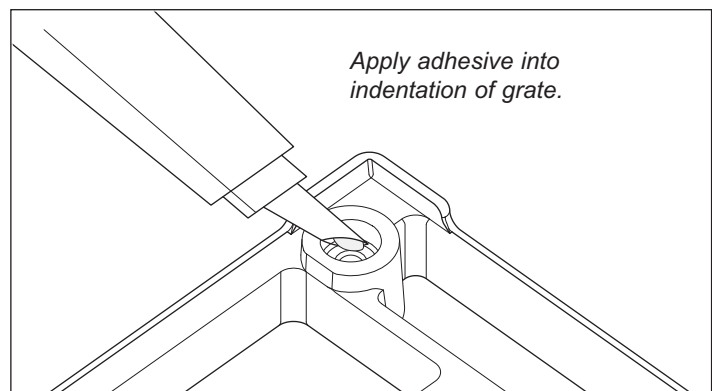


Figure 1. Apply Adhesive

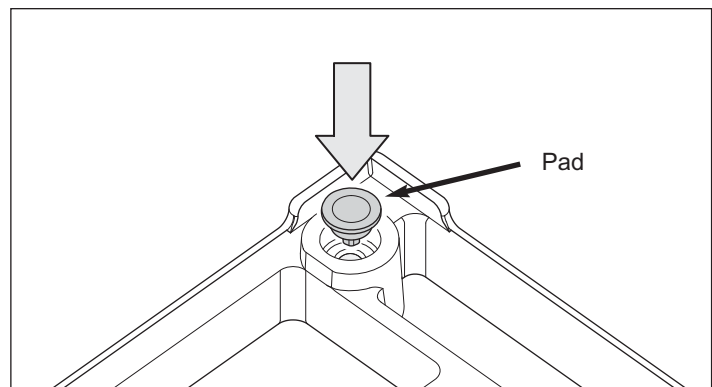


Figure 2. Press New Pad into Grate