

Oven Door Components*: (PTS 17000000)

Oven Door Assembly Removal*

To remove an oven door, first relieve the tension of the door spring using a channel-lock wrench between the eye-bolt and mounting bracket. Squeeze the channel-lock wrench together and remove the nut from the eye-bolt. Now, when the channel-lock wrench is released, the spring tension will be relieved and the S-hook can be removed from the rocker arm and the door hinge. Then, extract the two inner hinge pin mounting screws from the bottom of the door and loosen, but do not remove the two outer hinge pin mounting screws. (See Figure 4-36) After loosening the screws, disengage the hinge pin from the trunion bolt using a nut-driver to slide the two outer hinge pin mounting screws towards the center of the door. Now, lift the door assembly off of the unit. (See Figure 4-36)

Disassembling Oven Door*

If it is necessary to access or remove any of the components that make up the door assembly, extract all of the screws around the edge of the door and pull the door skin from the liner. This will allow removal of all door assembly components. (See Figure 4-37)

- * - Prior to Serial Number (PTS) 17000000
- ** - Starting with Serial Number (SWS) 17000000

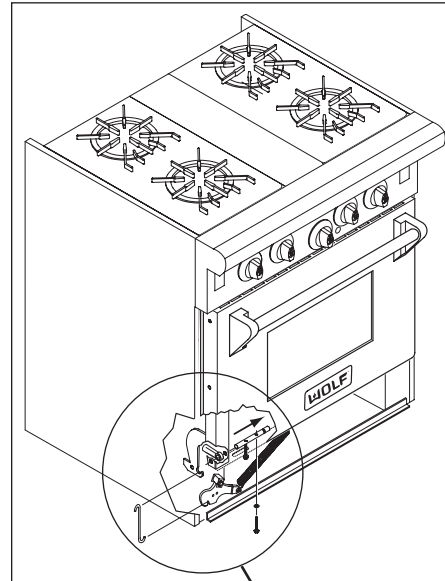


Figure 4-36. Door Assembly Removal

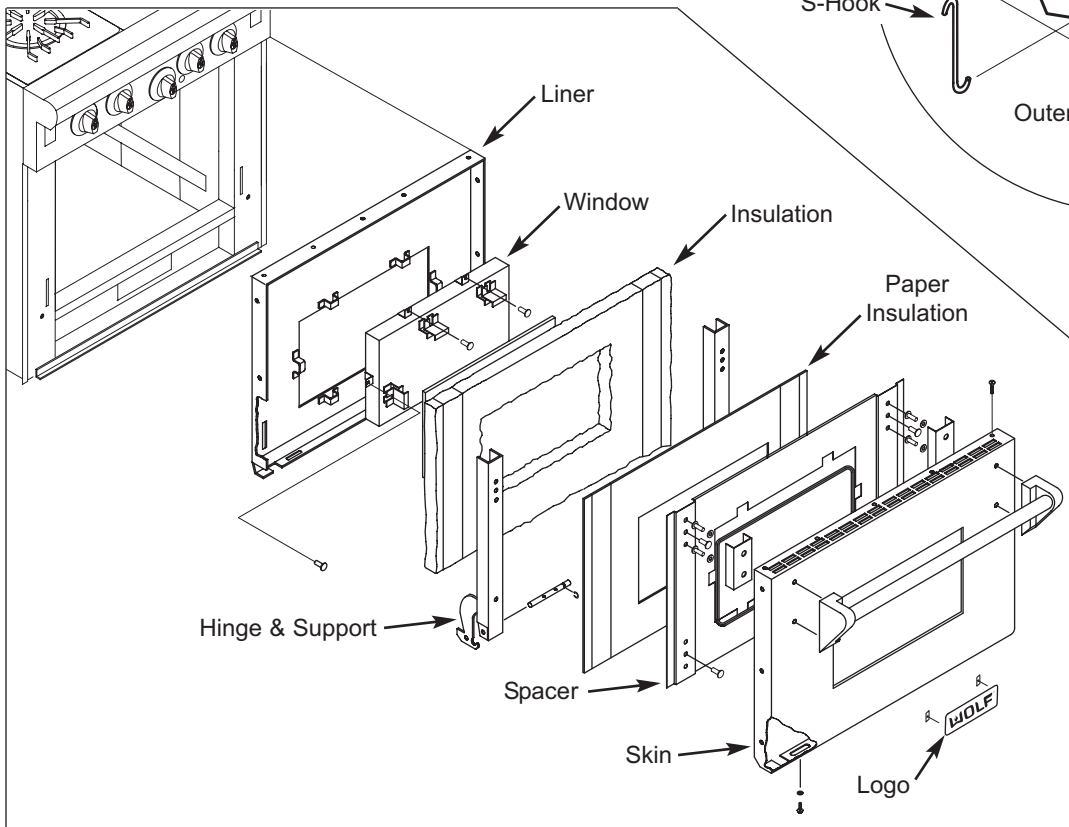
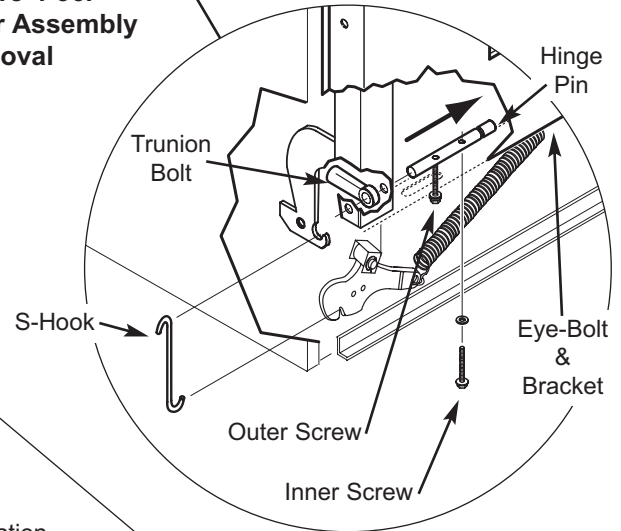


Figure 4-37. Disassembling Oven Door