

Door Panel Installation Instructions

⚠ CAUTION

Panels may have sharp edges which could inflict serious personal injury. Use care when handling. The carton and its contents are heavy and unstable. If this carton were to fall on someone, it could cause serious personal injury. The carton should be laid flat when unpacking.

NOTE: The protective film on stainless steel panels must be peeled off front of panel before installation.

PROCEDURE:

1. See CAUTION and NOTE above.
2. Using a piece of tape stuck to center of door handle magnetic trim molding, pull molding away from handle assembly (See Figure 1). This will expose door handle mounting screws.
3. Using a phillips head screw driver, extract exposed door handle mounting screws. Then, pull handle assembly from door (See Figure 2).
4. Slide door panel into door trim frame (See Figure 2). If panel is less than 1/4" (6 mm) thick, install chipboard filler panels behind panel.
5. With panel in position, secure handle assembly to door by reinstalling handle mounting screws (See Figure 2).
6. To reinstall handle molding trim, bow it gently in middle and insert top and bottom edges into end caps then release center (See Figure 1).

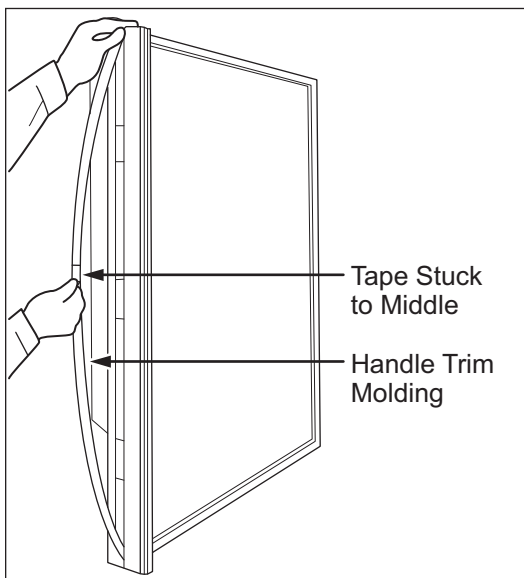


Figure 1

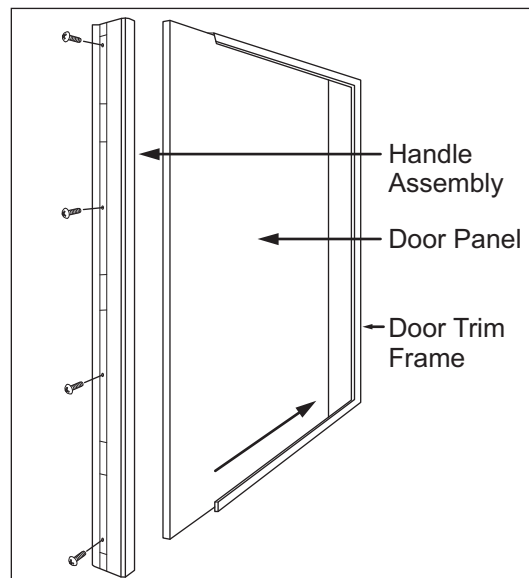


Figure 2

