

CONTENTS

1	Assembly, drive and sensor
1	Bracket, door top
1	Bracket, door panel
1	Handle
1	Bracket, dual installation
2	Cover, panel bracket
1	Spacer
1	Template
1	Cord, power (NEMA 1-15P to IEC 60320 C7)
1	Supply, power
2	Clip, cord
4	Tie, cable
1	Spacer
1	Spacer, dual installation
1	Cover
1	Screw, #8 - 32 x 1/2"
2	Nut, #10 - 24
1	Screw, 1/4 - 20 x 1"
2	Nut, 1/4 - 20
1	Bushing
1	Screw, #10 - 24 x 7/8"

Note: A 9' (2.7m) 2-prong to 2-pin power cord is provided. All other electrical connections require a new power cord (not provided).

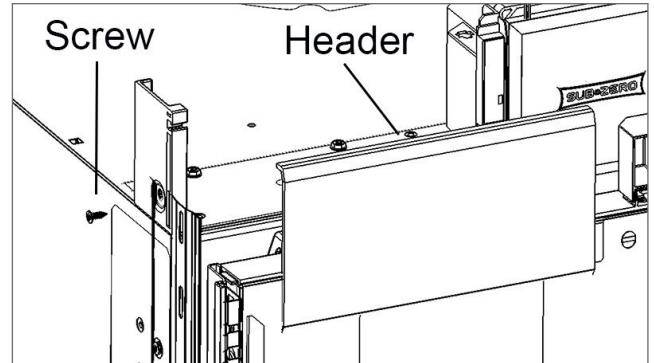
Note: An installation video is available at <https://subzerogroup.wistia.com/projects/j5hx475bq7>

Note: This accessory is not Star-K compliant.

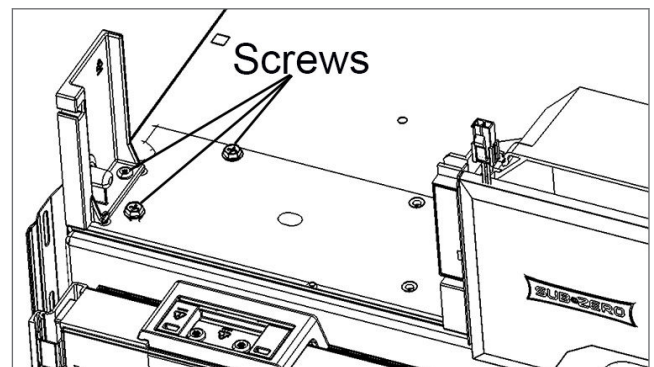
PRESS TO OPEN INSTALLATION (WITH DISPENSER)

- 1 If the unit is installed, remove the unit from the opening.
- 2 Remove the front panels.

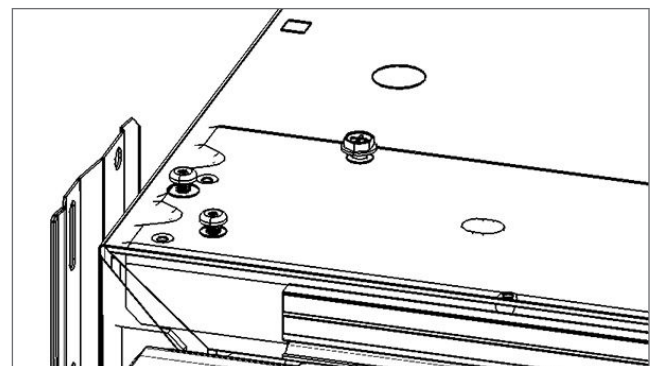
- 3 Remove the plastic header and the screw from the side mounting bracket.



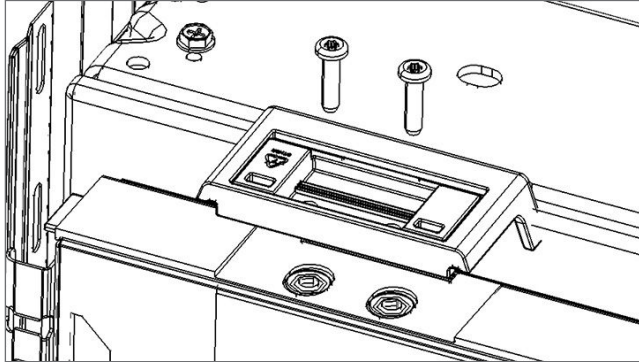
- 4 Remove the plastic wire routing clip located behind the wiring diagram, if applicable.
- 5 Remove the wiring diagram envelope, and place the envelope in an accessible location on top of the unit, if applicable.
- 6 Remove the screw shown below and remove the bracket. Do not discard the bracket screw.



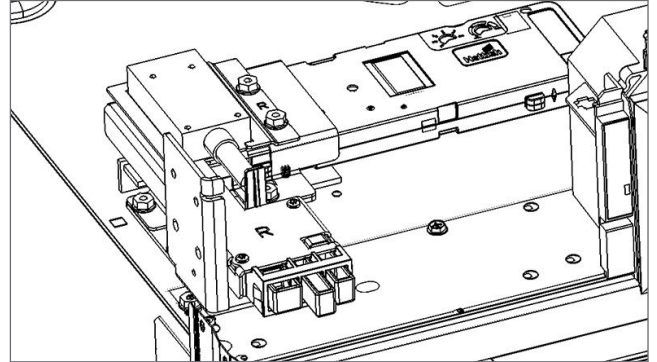
- 7 Partially install the screws removed in the previous step.



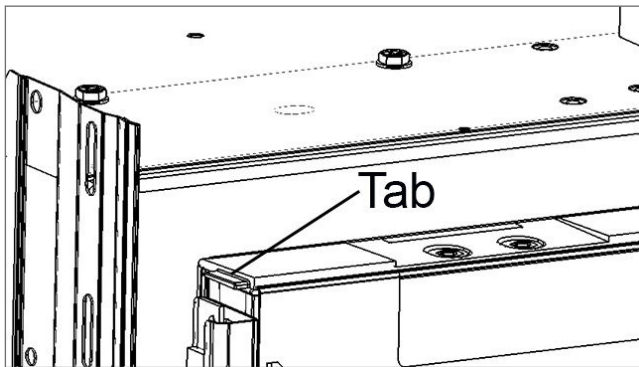
- 8 Remove two screws from the door spring assembly and remove the assembly. Do not discard the screws.



- 12 Route the drive and sensor assembly under the electrical and water lines and slide the bracket under the screws from step 6.

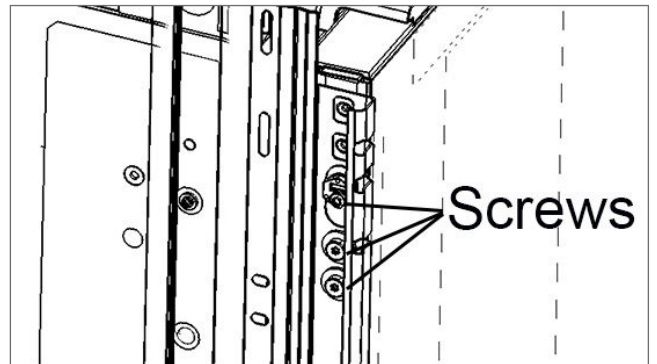


- 9 Open the door and remove the door trim tab with a hacksaw, utility knife, or oscillating tool.



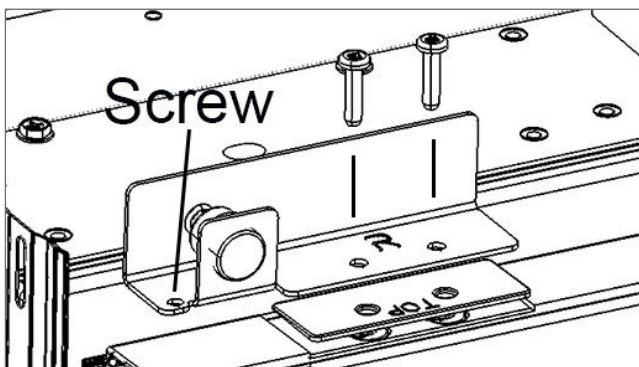
- 13 Tighten the screws to secure the assembly to the unit.

- 14 Remove all of the screws from the door panel mounting bracket and remove the bracket.

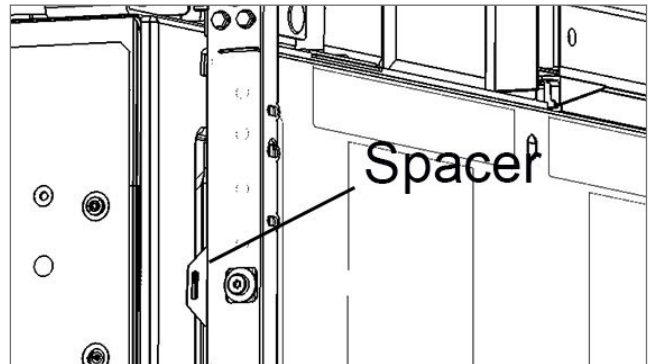


- 10 Place a shim under the door top bracket, and use the spring-loaded assembly screws to secure.

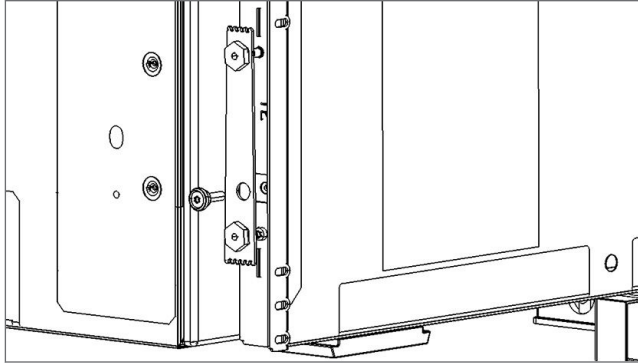
- 11 Pre-drill and install a #8-32 x 1/2" screw at the edge of the bracket.



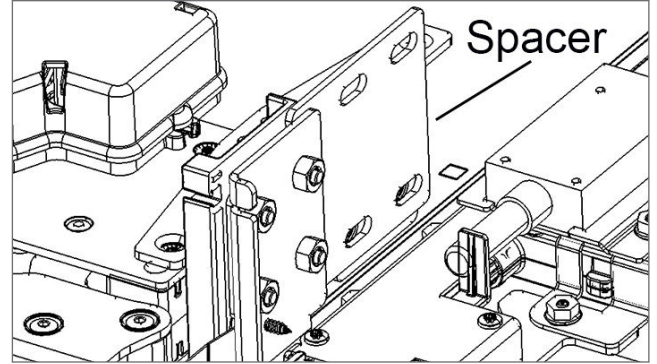
- 15 Place the provided spacer between the door and the door panel bracket and secure with a screw removed in the previous step.



- 16** Secure the bottom of the panel mounting bracket using the #10 - 24 x 7/8" flat-head screw and bearing.

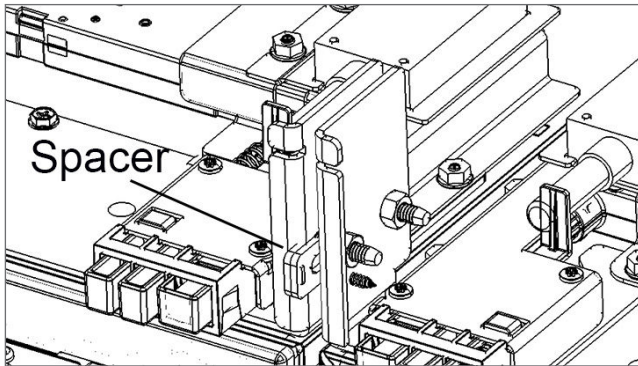


- 3** Secure the spacer between the brackets with four #10 - 24 nuts.



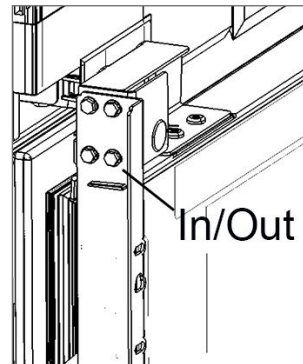
DUAL INSTALLATION ONLY (HANDLE TO HANDLE)

- Loosely install two 1/4 - 20 x 1" bolts and 1/4 - 20 nuts into the vertical support brackets.
- Slide two spacers between the two support brackets, then tighten the nuts and bolts.



PRESS TO OPEN COMPLETION (WITH DISPENSER)

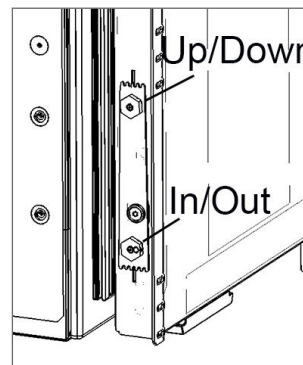
- Install the door panel.
- Remove the spacer and screw installed in step 15 on page 2.
- To adjust the top of the panel, loosen the four screws.
- Adjust the panel and tighten the screws.



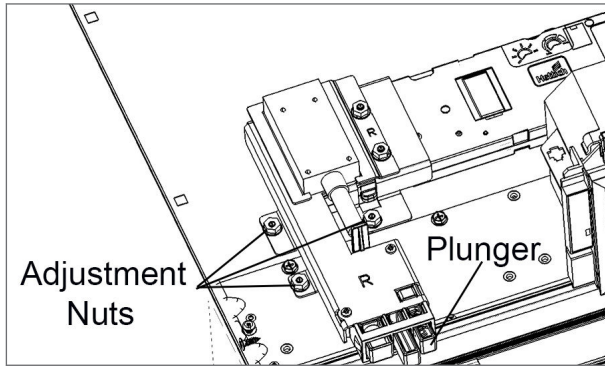
DUAL INSTALLATION ONLY (HANDLE TO HINGE)

- Discard the dual installation handle side bracket.
- Insert the spacer between the vertical brackets.

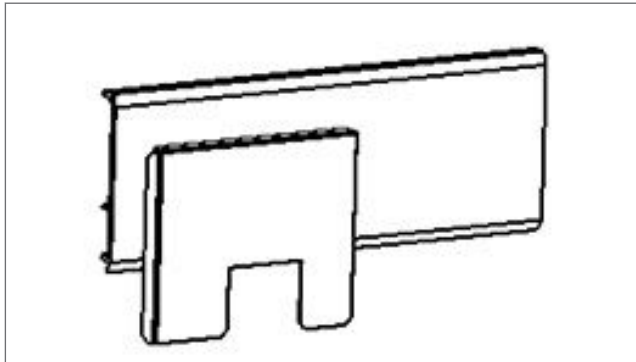
- Loosen the bottom bracket nuts.
- Adjust the panel and tighten the nuts.



- 7 Verify the door panel moves freely from the door after adjustments are made.
- 8 Verify the door positioning plunger contacts with the top door bracket by adjusting the bolts.

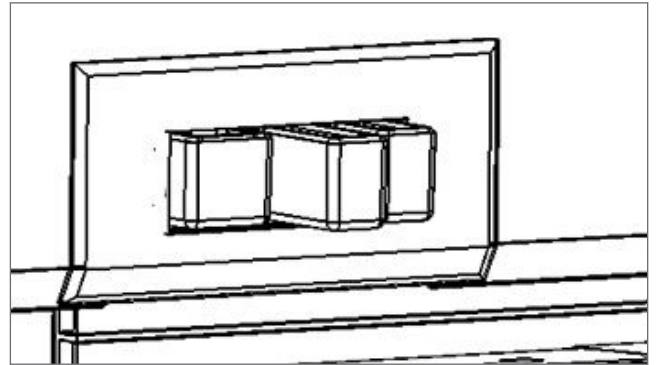


- 9 Place the magnetic covers at the top and bottom of the door panel mounting bracket.
- 10 Place the header template on the header.



- 11 Mark the cutout location.
- 12 Use a hacksaw, utility knife, or oscillating tool to cut the header.
- 13 Insert the power supply into the module.
- 14 Plug the power supply into a grounded outlet.
- 15 Use the cable tie provided to manage any excess cable.

- 16 Install the plastic header and the trim cover.



- 17 Press the door to open to verify operation.
- 18 NOTE: During a power outage, grasp the bottom of the door panel to open the door and insert the provided handle between the custom door panel and the door.

