



#826127 Grate Pad Replacement Package

NOTE: This instruction applies to the CG152T, CG304T, CG304P, CG365T, CG365P, and CG365C.

CONTAINS:

QTY

DESCRIPTION

4

Pad, Grate, Cooktop

1

Adhesive, RTV Silicone - 0.5oz

1

Instructions

PROCEDURE:

1. Remove any pieces of the old pad from the grate.
2. Apply a pea size amount of adhesive in the indentation of the grate (See Figure 1).
3. Press new pad firmly into grate (See Figure 2).
4. Wipe off any excess adhesive that may have seeped out when the new pad was inserted.
5. Repeat steps above for each corner (if applicable).
6. Allow adhesive to cure for 24 hours before use.

NOTE: It is recommended that the grate remain inverted while the adhesive cures to avoid any possible adhesive leakage onto other surfaces.

7. After 24 hours, place grate back in place on unit.

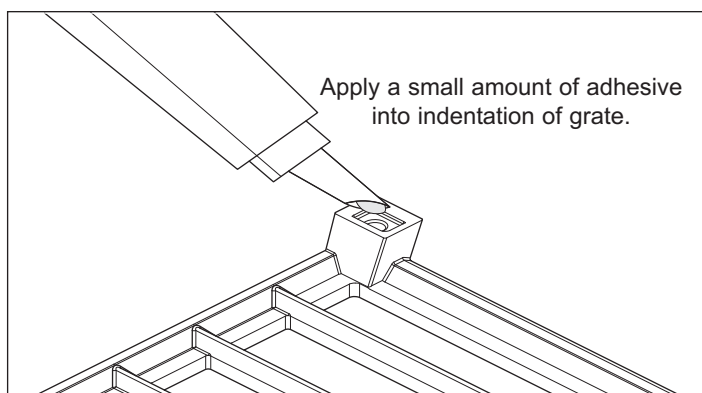


Figure 1. Apply Adhesive

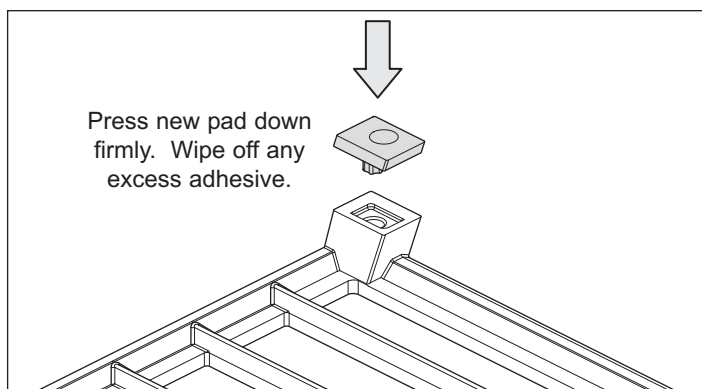


Figure 2. Press New Pad into Grate