



MODELS
427 | 427R

PANEL
DESIGN

Additional panel design information can be found in the Sub-Zero Design Guide. Check our website at subzero.com.

STAINLESS STEEL DOOR PANEL

Before installing the stainless steel door panel, check the panel carefully. Options are available for kickplate/grille height, overall height, door swing and door lock.

The stainless steel panel is mounted to the door by passing the #8-32 x 5/8" screws provided, through holes in the door frame from the rear, and into the threaded holes in the door panel. Refer to illustration 10 below. The screw holes inside the door are hidden under a cover flap on the door gasket. It is necessary to lift the flap to insert the screws.

After the door panel installation is complete, apply the cover patches or plugs provided over the holes on the inside surface of the door.

For installation of stainless steel panels on Model 427R drawers, see Model 427R Drawer Panels on page 22.

CAUTION

The cover patches or plugs are part of the insulation system on the door of the Wine Storage unit. Be sure to cover all the holes in the door that were used.

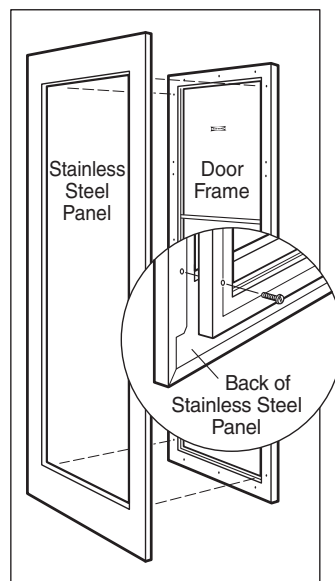
OVERLAY GLASS DOOR PANEL

Inspect the door panel for the minimum 5/8" (16) thickness, the greater width requirements for the stiles (to cover the door hinges), and the finished inside edge. The door panel has a weight limit of 20 lbs (9 kg). See the Wine Storage section of the Sub-Zero Design Guide for additional panel information.

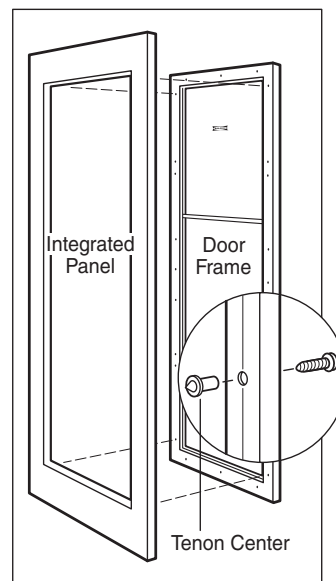
Decide if the handle will be attached through the glass door frame or just through the decorative door panel. If it is just through the door panel, the handle must be attached first.

If a lock is to be used, the body of the lock should be installed on the door panel after the panel is mounted.

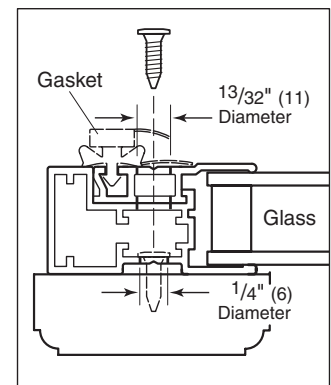
Decorative panels are attached to the Model 427 and 427R door using #8 x 5/8" square drive screws passing through the door frame from the rear, behind the gasket into the panel. The door panel is marked for screw locations by the use of 'tenon centers', which are temporarily inserted into the 1/4" (6) diameter holes in the front of the glass door frame. Refer to illustration 11 below.



Illus. 10



Illus. 11



Illus. 12