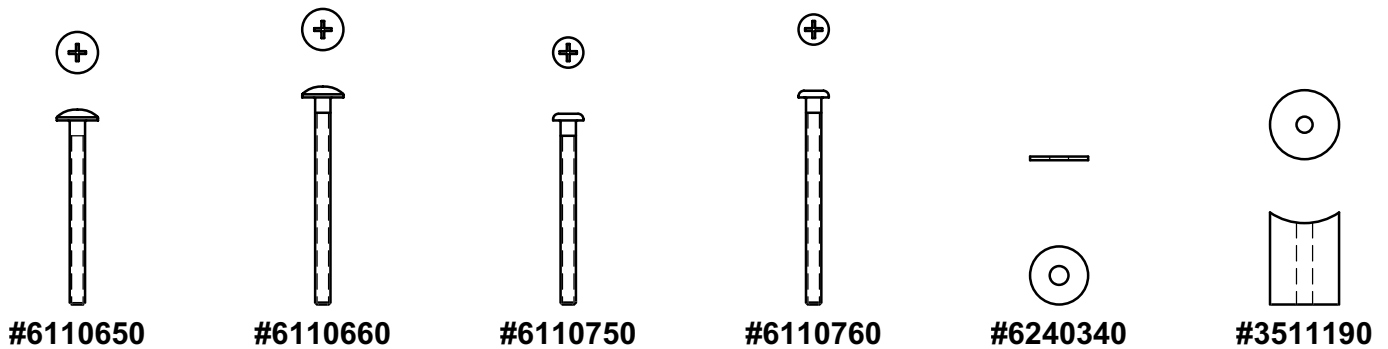




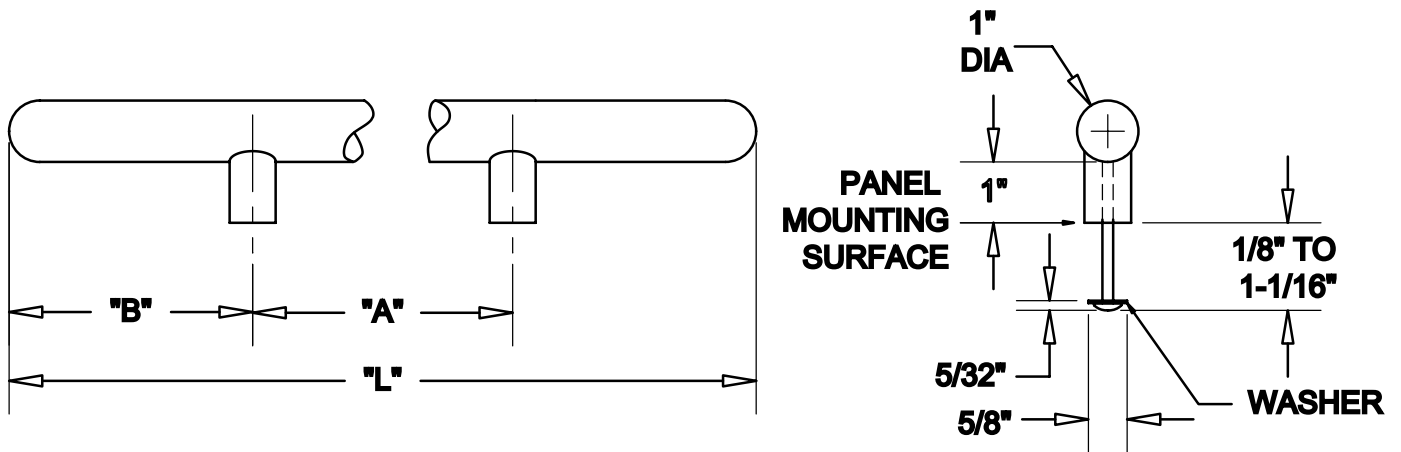
4202920

1" SS Handle Hardware Package



PART NO.	DESCRIPTION	QTY:
6110650	#10-24 X 2 TR HD	2
6110660	#10-24 X 2-1/4 TR HD	2
6110750	#10-24 X 2 PAN HD	2
6110760	#10-24 X 2-1/4 PAN HD	2
6240340	#10 X .631 X .040 WASHER	2
3511190	STANDOFF	2

1" SS HANDLE MOUNTING SPECS



THROUGH HOLES = 7/32" TO 1/4" DIA
 COUNTERSINK HOLES = 11/16" DIA X 5/32"

PART NO.	"L"	"A"	"B"
STASTEEL24X1	24-5/16	16-5/16"	4"
STASTEEL30X1	30-5/16"	22-5/16"	4"
STASTEEL44X1	44-1/4"	36-1/4"	4"
STASTEEL55X1	55-1/8"	41-1/8"	7"
STASTEEL64X1	63-7/8"	43-7/8"	10"